

Section II
Group Assembly Parts List

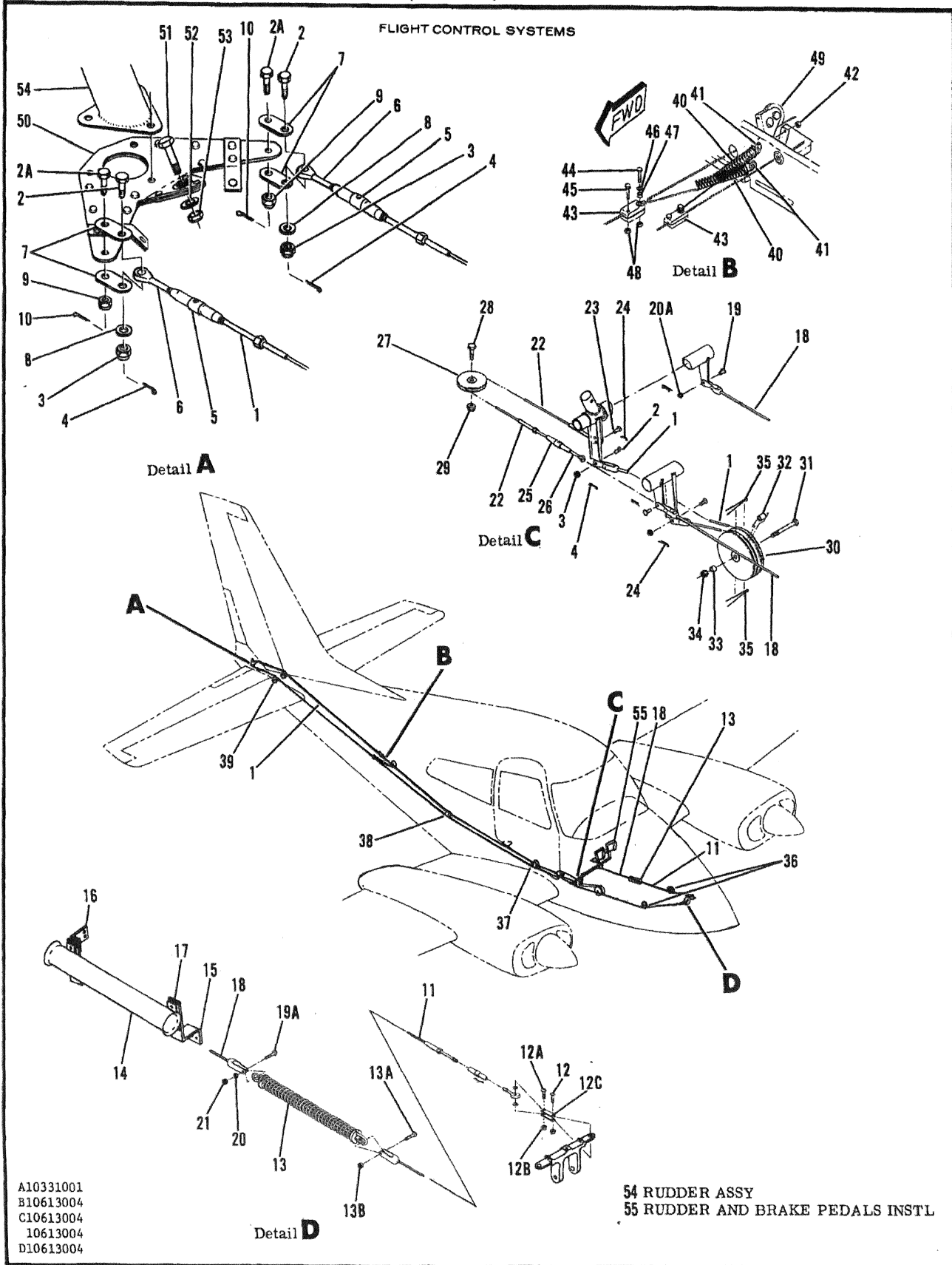


Figure 108. Rudder and Nose Wheel Steering Controls System

Section II
Group Assembly Parts List

FIGURE AND INDEX NO.	PART NUMBER	DESCRIPTION	UNITS PER ASSY	USABLE ON CODE
108 -1	0860207-3 0860207-152	RUDDER AND NOSE WHEEL STEERING CONTROL SYSTEM CABLE ASSY-RUDDER CONTROL LH CABLE ASSY-RUDDER CONTROL RH ATTACHING PARTS	NP 1 1	
-2	AN23-10	BOLT	1	
-2A	AN23-11	BOLT	1	
-3	MS17826-3	NUT	1	
-4	MS24665-134	PIN-COTTER	1	
-5	MS21251-5S	BARREL-TURNBUCKLE	1	
-6	AN165-22RL	EYE-TURNBUCKLE	1	
	MS21254-5RL	EYE-END ALT FOR AN165-22RL	1	
	MS21256-1	CLIP-LOCKING USED WITH MS21254-5RL	1	
	MS21256-2	CLIP-LOCKING	2	
-7	0510160	LINK	2	J
	5115213-3	LINK	2	K
-8	AN960-10L	WASHER	1	
-9	MS17826-3	NUT	1	
-10	MS24665-134	PIN-COTTER	1	
-11	0860207-149 0860207-157 0860207-148 0860207-156	CABLE ASSY-NOSE WHEEL STEERING FWD LH CABLE ASSY-NOSE WHEEL STEERING FWD RH CABLE ASSY-NOSE WHEEL STEERING FWD RH CABLE ASSY-NOSE WHEEL STEERING FWD RH ATTACHING PARTS	1 1 1 1	A B A B
-12	MS27039-1-11 AN960-10 MS21042L3	SCREW WASHER NUT	1 1 1	
-12A	AN23-12	BOLT	1	
-12B	AN960-10	WASHER	2	
-12C	AN320-3 MS24665-132 0510160	NUT COTTER PIN LINK	1 1 2	
	MS21256-1	CLIP-LOCKING	2	
	MS21251-5S	BARREL-TURNBUCKLE	1	
	NAS648-22RS	EYE-TURNBUCKLE	1	
-13	5015041-1	SPRING-NOSE WHEEL STEERING LH & RH ATTACHING PARTS	1	
-13A	MS27039-1-14	SCREW	1	
-13B	AN960-10L MS21042L3	WASHER NUT	1 1	
-14	0842008-3 AN526C1032R6 AN3-4A	TUBE ASSY-WELD LH & RH ATTACHING PARTS SCREW FSD AN3-4A BOLT	2 4 4	E F
-15	0842009-3 0842009-8 0842009-4 0842009-9 0842009-10	BRACKET-FWD LH FSD 0842009-8 BRACKET-FWD LH FSD 0842009-9 BRACKET-FWD RH FSD 0842009-9 BRACKET-FWD LH & RH	1 1 1 2	C C C D
-16	0842009-5	BRACKET-AFT LH	1	
-17	0860207-151	CABLE-NOSE WHEEL STEERING AFT LH	1	
-18	0860207-150	CABLE-NOSE WHEEL STEERING AFT RH ATTACHING PARTS	1	
-19	AN23-10	BOLT AFT	1	
-19A	MS27039-1-14	SCREW FWD	1	
-20	AN960-10L	WASHER FWD	1	
-20A	AN310-3	NUT AFT	1	
-21	MS21042L3 MS24665-132	NUT FWD PIN-COTTER AFT	1 1	
-22	0860207-129	CABLE-RUDDER POSITION ATTACHING PARTS	1	
-23	AN23-10	BOLT	2	
	MS17826-3	NUT	2	
-24	MS24665-132	PIN-COTTER	1	
-25	MS21251-5S	BARREL-TURNBUCKLE	1	
-26	MS21254-5RS MS21256-1	EYE-TURNBUCKLE CLIP-LOCKING	1 2	
-27	S378-4	PULLEY ATTACHING PARTS	1	
-28	AN4-7A	BOLT	1	
-29	MS21042L4	NUT	1	
	MS24665-285 0813014-1	PIN-COTTER CABLE GUARD FRAME-PULLEY ATTACHING PARTS	1 1	
	AN4-17 MS17825-4 MS24665-134	BOLT NUT PIN-COTTER	1 1 1	
	0813015-1	PLATE-PIVOT ATTACHING PARTS	1	
	AN23-8 MS17826-3 MS24665-134	BOLT NUT PIN-COTTER	2 2 2	
CONTINUED				

Section II
Group Assembly Parts List

FIGURE AND INDEX NO.	PART NUMBER	DESCRIPTION	1 2 3 4 5 6 7							UNITS PER ASSY	USABLE ON CODE	
108 -30	S278-4	• PULLEY • ATTACHING PARTS									2	
-31	AN4-22A	• BOLT									1	
-32	MS43DD4-28	• SPACER									1	
-33	MS43DD4-10	• SPACER									1	
-34	MS21042L4	• NUT									1	
-35	MS24665-293	• PIN-COTTER CABLE GUARD									2	
-36	S278-3L	• PULLEY • ATTACHING PARTS									2	
	AN4-10A	• BOLT									1	
	MS21042L4	• NUT									1	
-37	MS24665-283	• PIN-COTTER CABLE GUARD									1	
	S278-3L	• PULLEY • ATTACHING PARTS									2	
	AN4-20A	• BOLT									1	
	NAS43DD4-32	• SPACER									1	
	MS21042L4	• NUT									1	
	MS24665-292	• PIN-COTTER CABLE GUARD									1	
-38	S278-3L	• PULLEY • ATTACHING PARTS									2	
	O411421-2	• GUARD-CABLE									1	
	AN4-10A	• BOLT									1	
	MS21042L4	• NUT									1	
-39	S278-3L	• PULLEY • ATTACHING PARTS									1	
	AN4-10A	• BOLT									1	
	MS21042L4	• NUT									1	
	MS24665-283	• PIN-COTTER									1	
-40	O861521-1	• SPRING-RUDDER CENTERING									2	
-41	AN42B3A	• EYE BOLT									2	
-42	MS21045L3	• ATTACHING PARTS									1	
-43	C661520-1	• NUT									1	
-44		• CLAMP-CABLE HALF									4	
-45		• ATTACHING PARTS									4	
-46	AN3-10A	• BOLT									2	
-47	AN3-7A	• BOLT									2	
-48	AN960-10C	• WASHER									2	
-49	S133-3-6	• SPACER									2	
-50	MS21045L3	• NUT									2	
-51	S278-3	• PULLEY • ATTACHING PARTS									1	
-52	AN3-7A	• BOLT									1	
-53	MS21042L3	• NUT									1	
-54	O411421-2	• GUARD-CABLE									1	
-55		• ATTACHING PARTS									1	
	O813017-1	• BELLCRANK-RUDDER									1	
	O813017-2	• BELLCRANK-RUDDER									1	
		• ATTACHING PARTS									1	
	AN4-10A	• BOLT									1	
	AN960D416L	• WASHER									1	
	MS21045L4	• NUT									1	
		• ATTACHING PARTS									1	
	SEE FIG 60	• RUDDER ASSY									REF	
	SEE FIG 109	• RUDDER AND BRAKE PEDALS INSTALLATION									REF	
		A---310P0001 THRU 310P0070										
		B---310P0071 & ON										
		C---310P0001 THRU 310P0095										
		D---310P0096 & ON										
		E---310P0001 THRU 310P0019										
		F---310P0020 & ON										
		G---310P0001 THRU 310Q0736										
		H---310Q0737 & ON										
		J---310P0001 THRU 310Q0811										
		K---310Q0812 & ON										

G
H



Section II
Group Assembly Parts List

FLIGHT CONTROL SYSTEMS

17 BRAKE MASTER CYLINDER ASSY

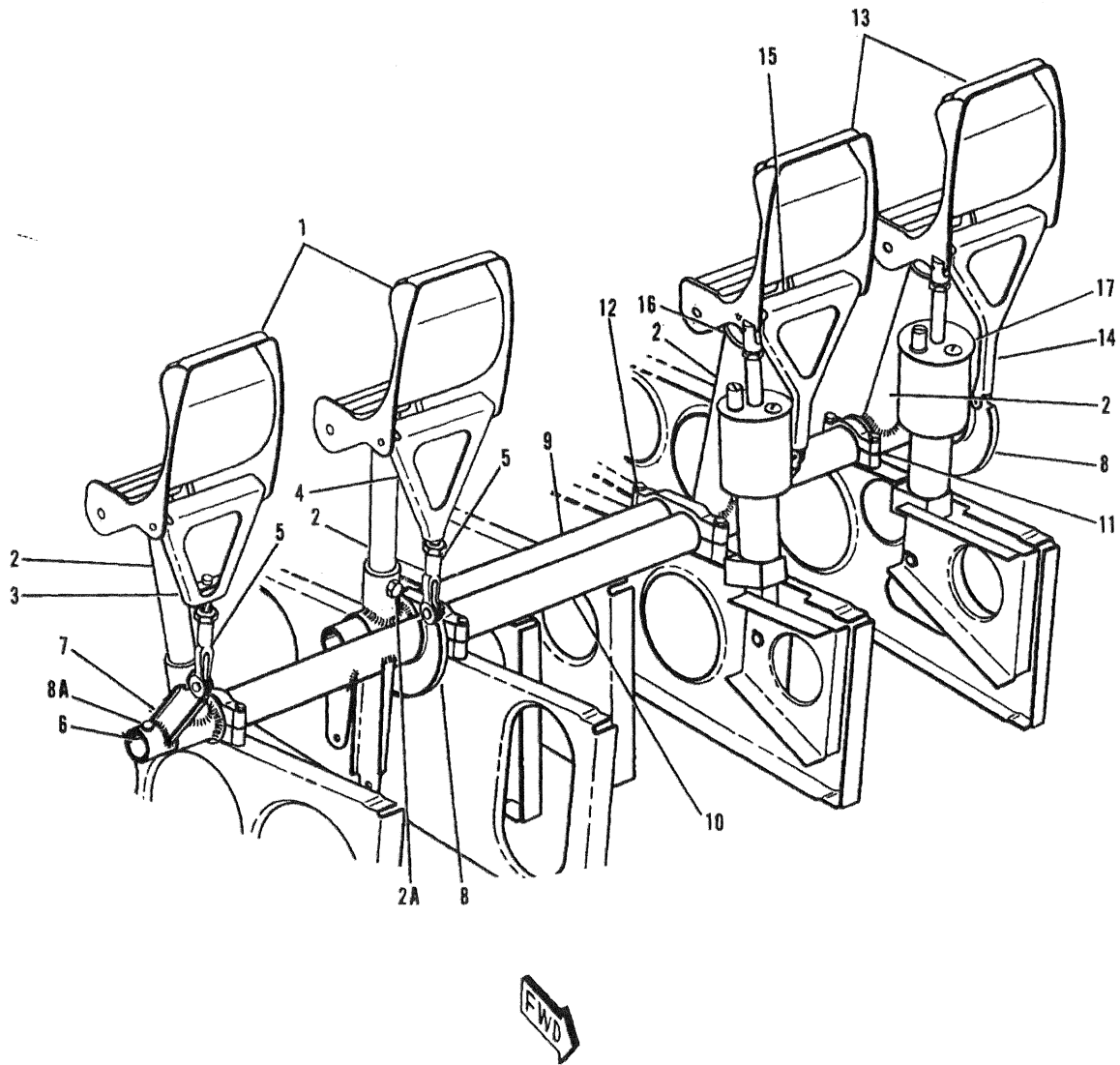


Figure 109. Rudder and Brake Pedal Installation

Section II
Group Assembly Parts List

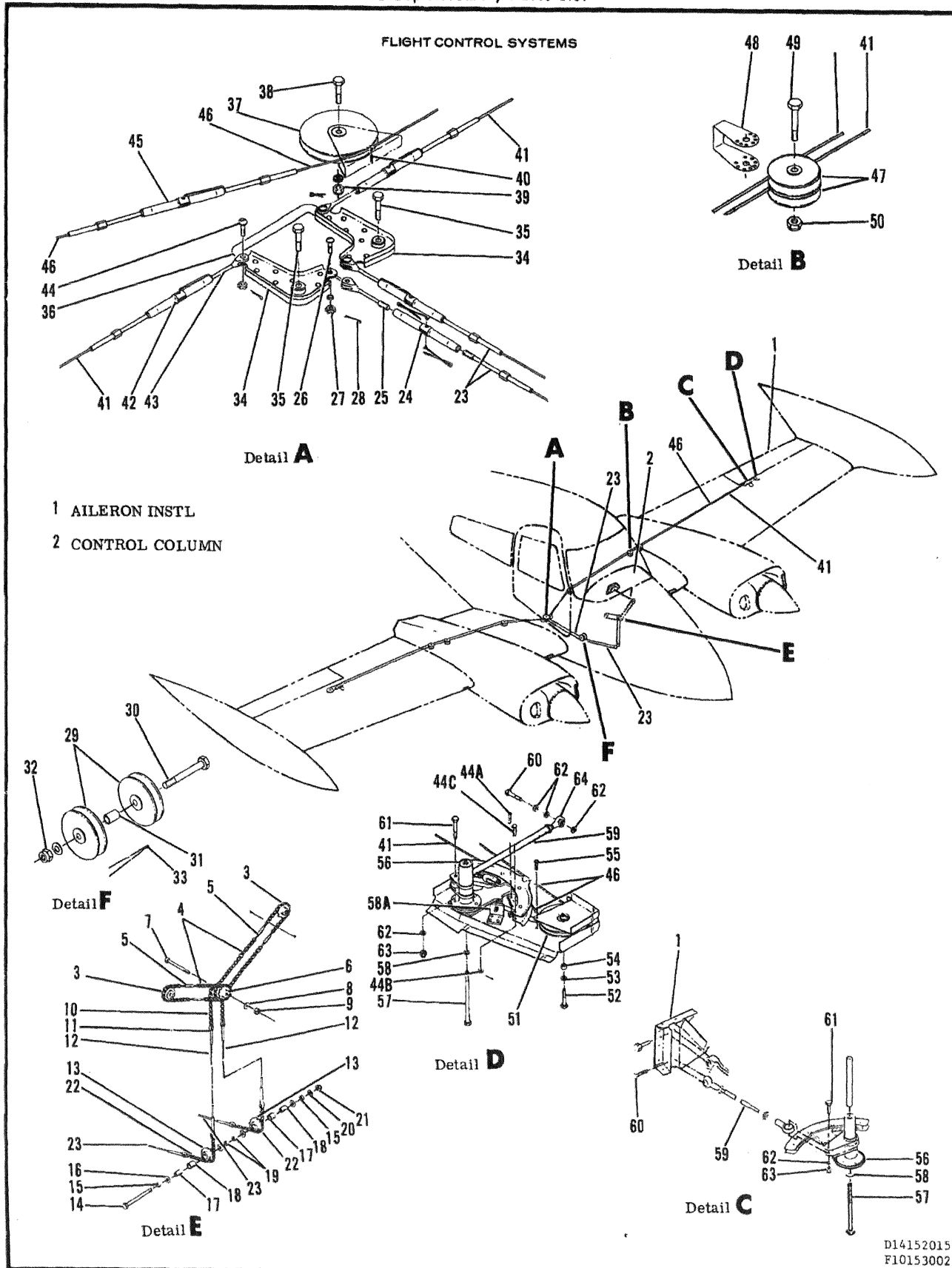


Figure 110. Aileron Control System

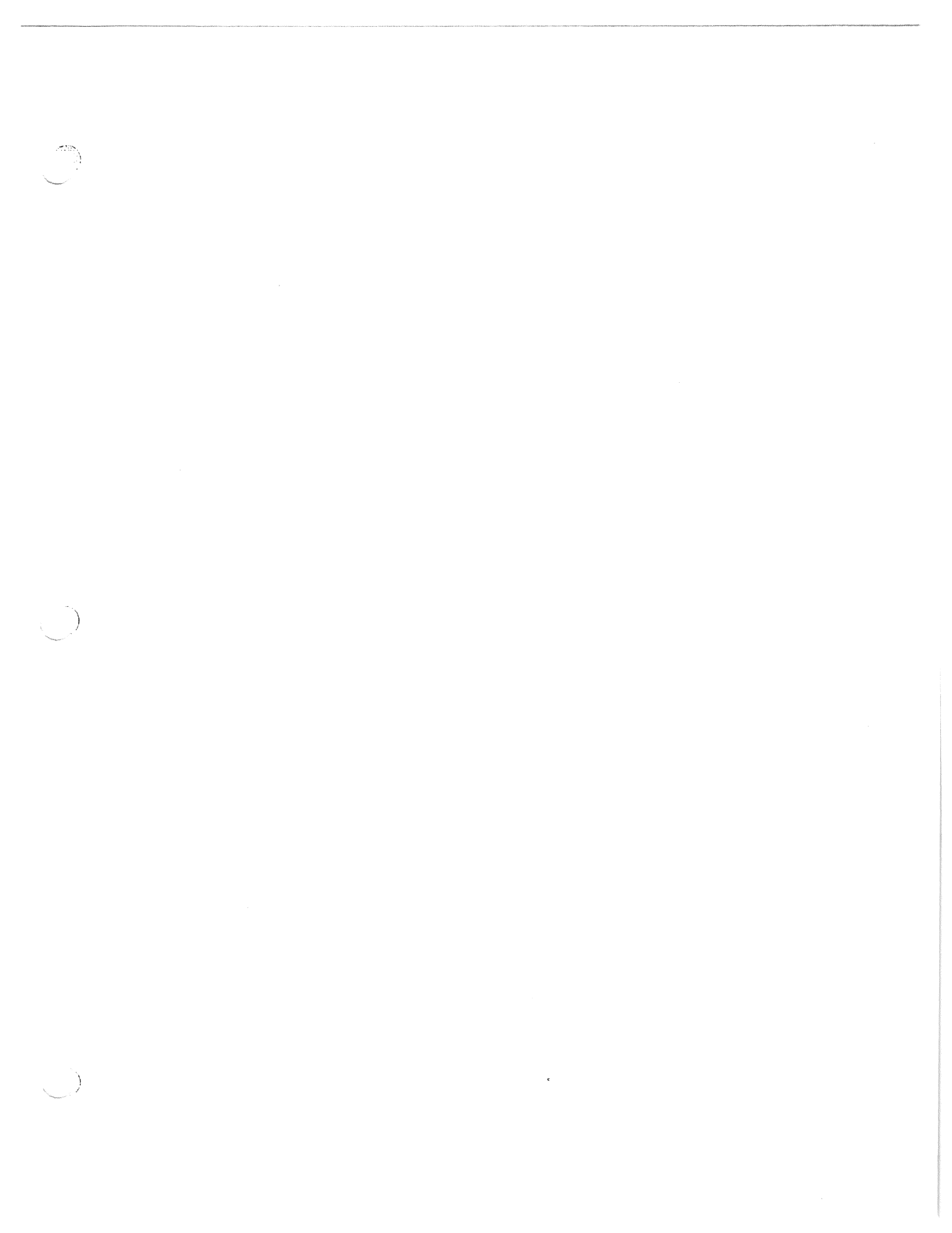
Section II
Group Assembly Parts List

FIGURE AND INDEX NO.	PART NUMBER	DESCRIPTION	1 2 3 4 5 6 7							UNITS PER ASSY	USABLE ON CODE			
			1	2	3	4	5	6	7					
110 -		AILERON CONTROL SYSTEM												
-1	SEE FIG 58	AILERON INSTL												
-2	SEE FIG 112	CONTROL COLUMN												
-3	0860175-14	CHAIN-AILERON												
-4	0860175-13	CHAIN-AILERON												
-5	MS21251B5S	ATTACHING PARTS												
	NAS288-35	BARREL												
	NAS288-35	TERMINAL-LH												
	NAS288-35	TERMINAL-RH												
-6	0860218-1	SPROCKET-TRIPLE												
		ATTACHING PARTS												
-7	AN5-42A	BOLT												
-8	AN960-516L	WASHER												
-9	MS21044N5	NUT												
-10	0860175-1	CHAIN-AILERON												
		ATTACHING PARTS												
-11	AN21-10	BOLT												
	AN320-1	NUT												
	MS24665-22	PIN-COTTER												
-12	0860207-123	CABLE ASSY-AILERON LH												
	0860207-122	CABLE ASSY-AILERON RH												
-13	0310364	SPROCKET-AILERON												
		ATTACHING PARTS												
-14	AN5-30A	BOLT												
-15	NAS43HT5-12	SPACER												
-16	AN970-5	WASHER												
-17	0860219-1	RACE-BEARING												
-18	B98	BEARING												
-19	NAS43HT5-9	SPACER												
-20	AN960-516	WASHER												
-21	MS21044N5	NUT												
-22	0860175-1	CHAIN-LWR LH												
	0860175-3	CHAIN-LWR RH												
		ATTACHING PARTS												
	AN21-10	BOLT												
	AN320-1	NUT												
	MS24665-132	PIN-COTTER												
	MS24665-22	PIN-COTTER												
-23	0860207-5	CABLE-AILERON FWD												
		ATTACHING PARTS												
-24	MS21251B5L	BARREL-TURNBUCKLE												
-25	MS21256-2	CLIP-LOCKING												
-25	MS21252-5RL	CLEVIS-END												
-26	O800182-1	BUSHING												
-27	AN23-10	BOLT												
-27	MS17826-3	NUT												
-28	MS24665-132	PIN-COTTER												
-29	S378-3L	PULLEY												
		ATTACHING PARTS												
-30	AN4-20A	BOLT												
-31	NAS43DD4-32	SPACER												
-32	MS21042L4	NUT												
-33	MS24665-292	PIN-COTTER												
		CABLE GUARD												
-34	0861500-13	BELLCRANK ASSY-AILERON												
		ATTACHING PARTS												
-35	AN4-10A	BOLT												
-36	0861509-1	LINK												
-37	S378-4	PULLEY												
		ATTACHING PARTS												
-38	AN4-10	BOLT												
-39	AN960-416L	WASHER												
-39	AN310-4	NUT												
-40	MS24665-134	PIN-COTTER												
-40	MS24665-283	PIN-COTTER												
		CABLE GUARD												
-41	0860207-139	CABLE-AILERON AFT												
		ATTACHING PARTS												
-42	MS21251B5L	BARREL-TURNBUCKLE												
-42	MS21256-2	CLIP-LOCKING												
-43	MS21252-5RL	CLEVIS-END												
-43	O800182-1	BUSHING												
-44	AN23-10	BOLT												
-44	MS17826-3	NUT												
-44A	MS24665-134	PIN-COTTER												
-44B	AN23-10	BOLT												
-44B	MS17826-3	NUT												
-44C	MS24665-132	PIN-COTTER												
-44C	MS20392-2C19	PIN-CABLE GUARD												
-44C	MS24665-208	PIN-COTTER												
-45	MS21251-5L	BARREL												
-46	0860207-137	CABLE-AILERON CARRY THRU LH												
-46	0860207-138	CABLE-AILERON CARRY THRU RH												
		ATTACHING PARTS												
	AN23-10	BOLT												
	MS17826-3	NUT												
	MS20392-2C19	PIN-CABLE GUARD												
	MS24665-132	PIN-COTTER												

CONTINUED

Section II
Group Assembly Parts List

FIGURE AND INDEX NO.	PART NUMBER	DESCRIPTION							UNITS PER ASSY	USABLE ON CODE	
		1	2	3	4	5	6	7			
110 -47	S378-3L	• PULLEY-LH & RH	•	•	•	•	•	•	•	12	
		• ATTACHING PARTS	•	•	•	•	•	•	•		
-48	0411421-8	• CABLE GUARD	•	•	•	•	•	•	•	1	
-49	AN4-14A	• BOLT	•	•	•	•	•	•	•	1	
-50	MS21044N4	• NUT	•	•	•	•	•	•	•	1	
		-----*									
-51	S378-4	• PULLEY	•	•	•	•	•	•	•	2	
		• ATTACHING PARTS	•	•	•	•	•	•	•		
-52	AN4H12A	• BOLT	•	•	•	•	•	•	•	1	
-53	AN960-416	• WASHER	•	•	•	•	•	•	•	1	
-54	NAS43HT4-18	• SPACER	•	•	•	•	•	•	•	1	
-55	NAS427K18	• PIN-CABLE GUARD	•	•	•	•	•	•	•	1	
		-----*									
-56	5025000-3	• BELLCRANK ASSY-AILERON LH	•	•	•	•	•	•	•	1	
	5025000-4	• BELLCRANK ASSY-AILERON RH	•	•	•	•	•	•	•	1	
		• ATTACHING PARTS	•	•	•	•	•	•	•		
-57	AN4H45A	• BOLT	•	•	•	•	•	•	•	1	
-58	AN960-416	• WASHER	•	•	•	•	•	•	•	1	
		-----*									
	MS20200KP4	• BEARING	•	•	•	•	•	•	•	2	
	NAS43DD4-198	• SPACER	•	•	•	•	•	•	•	1	
-58A	NAS428H3-6	• BOLT-AILERON BELLCRANK STOP	•	•	•	•	•	•	•	1	
	MS25082-3	• NUT	•	•	•	•	•	•	•	1	
-59	5025018-1	• ROD ASSY-AILERON PUSH-PULL	•	•	•	•	•	•	•	2	
		• ATTACHING PARTS	•	•	•	•	•	•	•		
-60	AN4H13A	• BOLT	•	•	•	•	•	•	•	1	
-61	AN4-13	• BOLT	•	•	•	•	•	•	•	1	
-62	AN960-416L	• WASHER	•	•	•	•	•	•	•	1	
-63	MS17826-4	• NUT	•	•	•	•	•	•	•	1	
	MS24665-134	• PIN-COTTER	•	•	•	•	•	•	•	1	
		-----*									
-64	RE4M6	• ROD END	•	•	•	•	•	•	•	FAF	
	NAS509-6	• NUT-CHECK	•	•	•	•	•	•	•	2	



Section II
Group Assembly Parts List

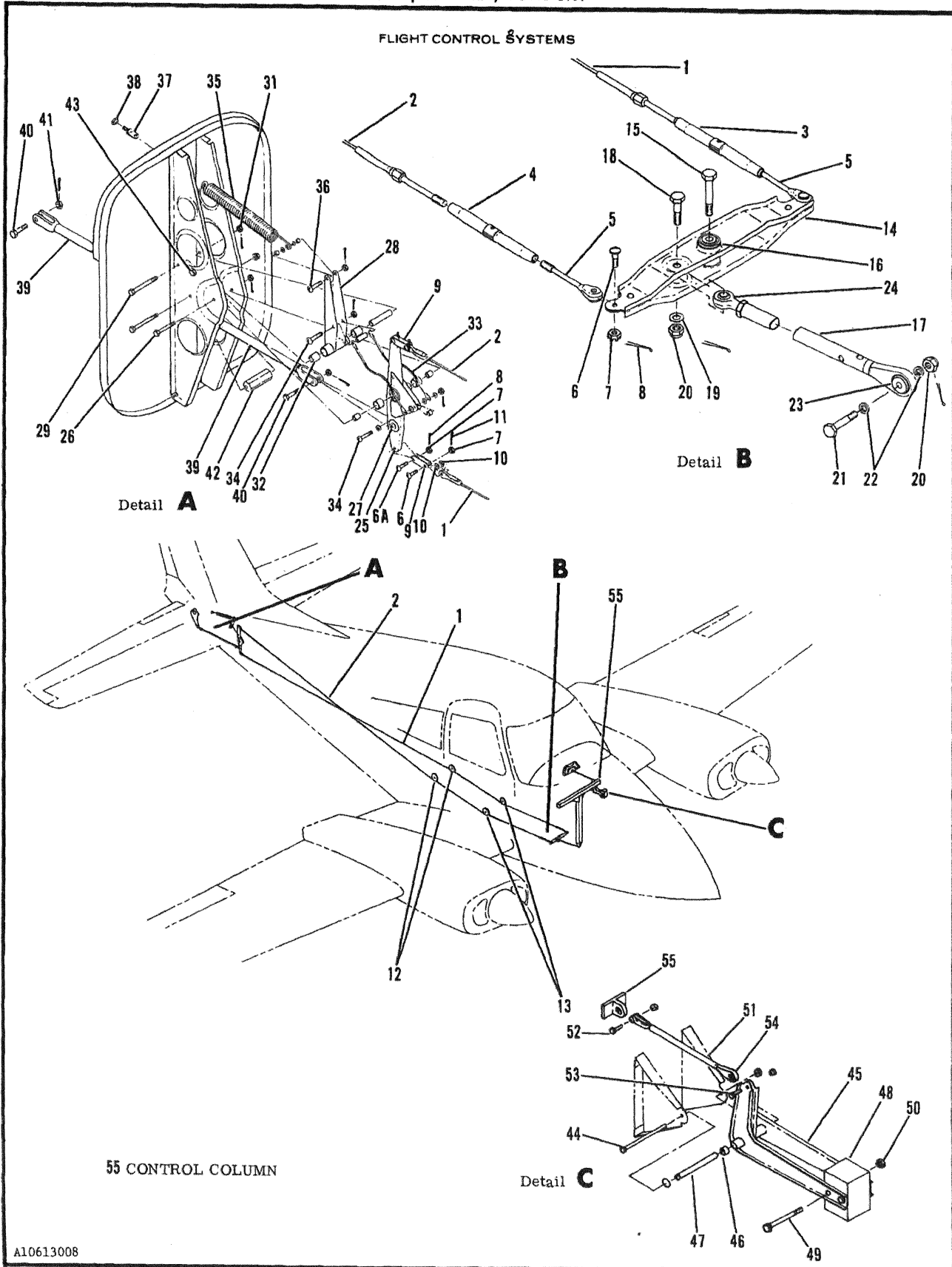


Figure 111. Elevator Control System

Section II
Group Assembly Parts List

FIGURE AND INDEX NO.	PART NUMBER	DESCRIPTION	UNITS PER ASSY							USABLE ON CODE
			1	2	3	4	5	6	7	
111 -		ELEVATOR CONTROL SYSTEM								NP
-1	0860207-1	CABLE ASSY-ELEVATOR CONTROL LH								1
-2	0860207-2	CABLE ASSY-ELEVATOR CONTROL RH								1
		ATTACHING PARTS								
-3	MS21251B5L	BARREL-TURNBUCKLE CABLE LH								1
-4	MS21251B5S	BARREL-TURNBUCKLE CABLE RH								1
-5	AN161-22RL	FORK-TURNBUCKLE								1
-6	AN23-12	BOLT								2
-6A	AN23-12	BOLT								2
-7	MS17826-3	NUT								4
-8	MS24665-134	PIN-COTTER								2
-9	0510160	LINK-CABLE								2
-10	AN960-10	WASHER								4
-11	MS24665-134	PIN-COTTER								2
		-----*								
-12	S378-3L	PULLEY								2
		ATTACHING PARTS								
	0411421-2	CABLE GUARD-PULLEY								1
	AN4-10A	BOLT								1
	MS21042L4	NUT								1
		-----*								
-13	S378-3	PULLEY								2
		ATTACHING PARTS								
	AN4-10A	BOLT								1
	MS21042L4	NUT								1
	MS24665-285	PIN-COTTER								1
		-----*								
-14	0861500-1	BELLCRANK ASSY-FWD								1
		ATTACHING PARTS								
-15	AN4-14A	BOLT								1
		-----*								
-16	MS24462-4	BEARING								1
-17	0861500-4	TUBE ASSY-FWD								1
		ATTACHING PARTS								
-18	AN4-7	BOLT								1
-19	AN960-416L	WASHER								1
-20	MS17826-4	NUT								2
-21	AN4-12	BOLT								1
-22	NAS43HT4-5	SPACER								2
	MS24665-134	PIN-COTTER								1
		-----*								
-23	LS4	BEARING								HEC
-24	HMX4	ROD END								HEC
	AN316-5R	NUT-CHECK								1
-25	0814007-1	BELLCRANK ASSY-ELEVATOR AFT								1
		ATTACHING PARTS								
-26	AN4-16	BOLT								1
	0814000-144	SPACER								2
	NAS43HT4-26	SPACER								2
	MS17826-4	NUT								1
	MS24665-134	COTTER PIN								1
		-----*								
-27	KP4	BEARING								FAF
-28	0814000-139	CHANNEL ASSY-ELEVATOR DOWN SPRING								1
		ATTACHING PARTS								
-29	AN4-25	BOLT								1
-30		DELETED NOT USED								
-31	MS17826-4	NUT								1
	MS24665-134	COTTER PIN								1
		-----*								
-32	B610	BEARING								TOR
-33	0860207-101	CABLE ASSY-ELEVATOR DOWN SPRING MATCHED SET								2
		ATTACHING PARTS								1
-34	AN23-18	BOLT								2
	AN960-10L	WASHER								4
	NAS43HT3-20	SPACER								1
	MS17826-3	NUT								2
	MS24665-134	PIN-COTTER								2
	NAS43HT3-35	SPACER								1
		-----*								
-35	0814016-3	SPRING-ELEVATOR DOWN								1
		ATTACHING PARTS								
-36	AN23-18	BOLT								1
	NAS43HT3-16	SPACER								2
	AN960-10L	WASHER								1
	MS17826-3	NUT								1
	MS24665-134	PIN-COTTER								1
-37	AN43B4A	BOLT-EYE								1
-38	MS21044N3	NUT								1
		-----*								
-39	0814000-24	TUBE ASSY-ELEVATOR								1
		ATTACHING PARTS								
-40	AN4-13	BOLT								2
-41	MS17826-4	NUT								2
	MS24665-134	COTTER PIN								2
		-----*								
-42	0814015-1	STOP-ELEVATOR BELLCRANK								2
		ATTACHING PARTS								
-43	AN4-25A	BOLT								1
	MS21042L4	NUT								1
		-----*								
	0861171-7	BELLCRANK ASSY-BOB WEIGHT								1
		ATTACHING PARTS								
-44	AN4-40A	BOLT								1
	MS21044N3	NUT								1
	NAS70CL261-750	WASHER								2
		-----*								
		CONTINUED								

Section II
Group Assembly Parts List

FIGURE AND INDEX NO.	PART NUMBER	DESCRIPTION							UNITS PER ASSY	USABLE ON CODE	
		1	2	3	4	5	6	7			
111 -45	0861171-2	•	•	•	•	•	•	•	•	1	
-46	B60	•	•	•	•	•	•	•	•	2	
-47	0861169-1	•	•	•	•	•	•	•	•	1	
-48	0861170-2	•	•	•	•	•	•	•	•	1	
-49	AN4-24A	•	•	•	•	•	•	•	•	2	
-50	MS21042L4	•	•	•	•	•	•	•	•	2	
-51	C861168-4	•	•	•	•	•	•	•	•	1	
-52	AN3-7A	•	•	•	•	•	•	•	•	1	
-53	AN3-5A	•	•	•	•	•	•	•	•	1	
	MS21042L3	•	•	•	•	•	•	•	•	2	
-54	PN2A	•	•	•	•	•	•	•	•	1	
-55	SEE FIG 112	•	•	•	•	•	•	•	•	REF	

0

5

5

Section II
Group Assembly Parts List

FLIGHT CONTROL SYSTEMS

1 CONTROL WHEEL INSTL

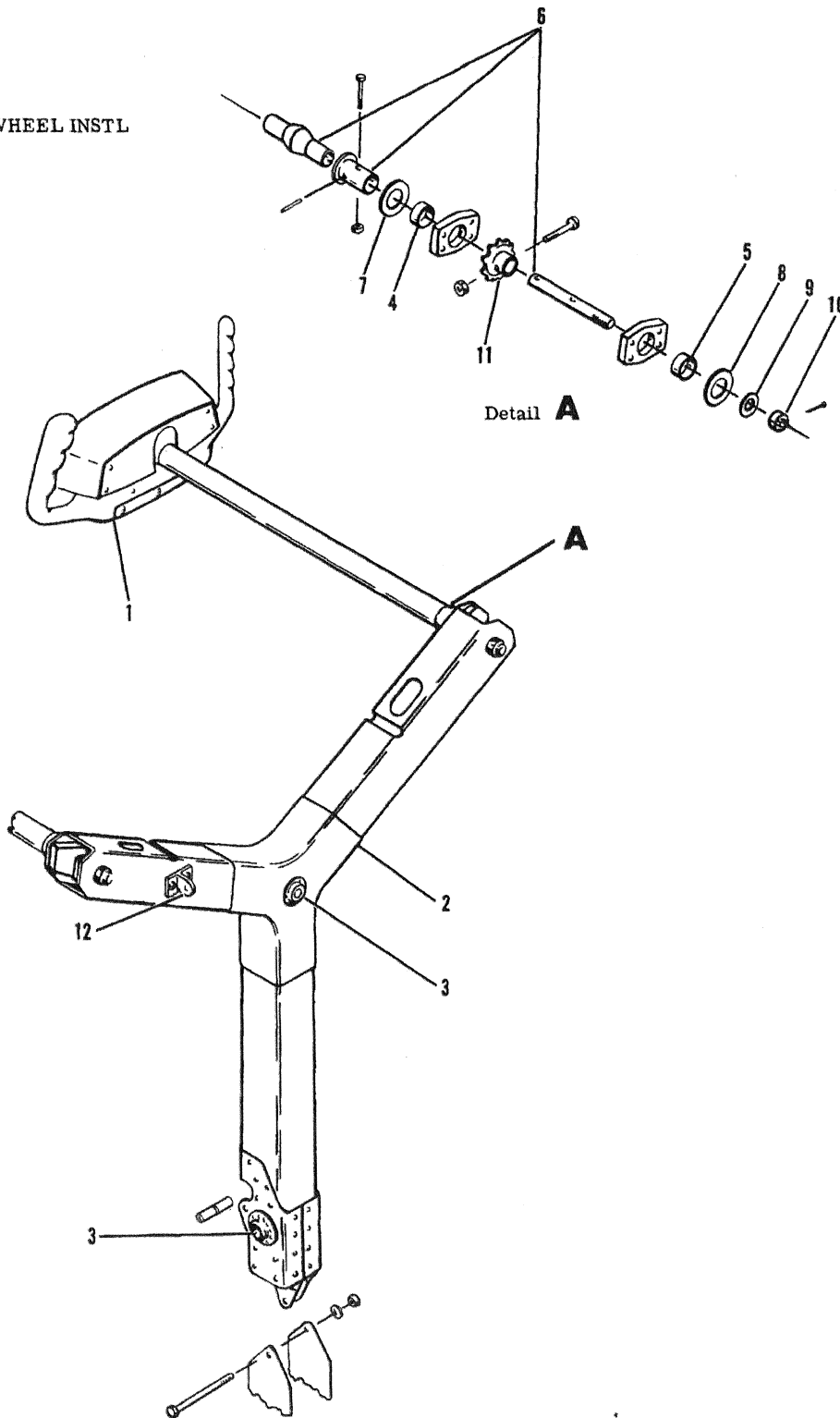


Figure 112. Flight Control Column Installation

Section II
Group Assembly Parts List

FIGURE AND INDEX NO.	PART NUMBER	DESCRIPTION							UNITS PER ASSY	USABLE ON CODE
		1	2	3	4	5	6	7		
112 -		FLIGHT CONTROL COLUMN INSTALLATION							NP	
-1	SEE FIG 113	CONTROL WHEEL INSTL							REF	
-2	0860216-1	COLUMN ASSY-CONTROL							1	
		ATTACHING PARTS								
	AN5-37A	BOLT							1	
	NAS43HT5-61	SPACER							2	
	AN960-516	WASHER							1	
	MS21044N5	NUT							1	
-3	BC5W10	BEARING							FAF	4
-4	B148	BEARING							TOR	2
-5	888	BEARING							TOR	2
-6	0896000-3	SHAFT ASSY-UNIVERSAL JOINT LH							MATCHED SET	1
	0896000-4	SHAFT ASSY-UNIVERSAL JOINT RH							MATCHED SET	1
		ATTACHING PARTS								
	NAS561P6-12	ROLL PIN								1
	NAS1103-14	BOLT								1
	MS21044N3	NUT								1
-7	TT1503-2	BEARING							AXD	1
-8	TT1001	BEARING							AXD	1
-9	S1003-88A	BEARING ALT FOR TT1001								1
-9	AN960-816	WASHER								1
-10	AN310-8	NUT								1
	MS24665-287	PIN-COTTER								1
-11	0411047	SPROCKET-AILERON CHAIN								2
		ATTACHING PARTS								
	NAS1103-12	BOLT								1
	MS21044N3	NUT								1
-12	0861166-1	BRACKET ASSY								1
		ATTACHING PARTS								
	AN3-4A	BOLT								2
	MS21044N3	NUT								2
	PN3A	BEARING							TOR	1

310P0001 THRU 310Q0400

Section-II
Group Assembly Parts List

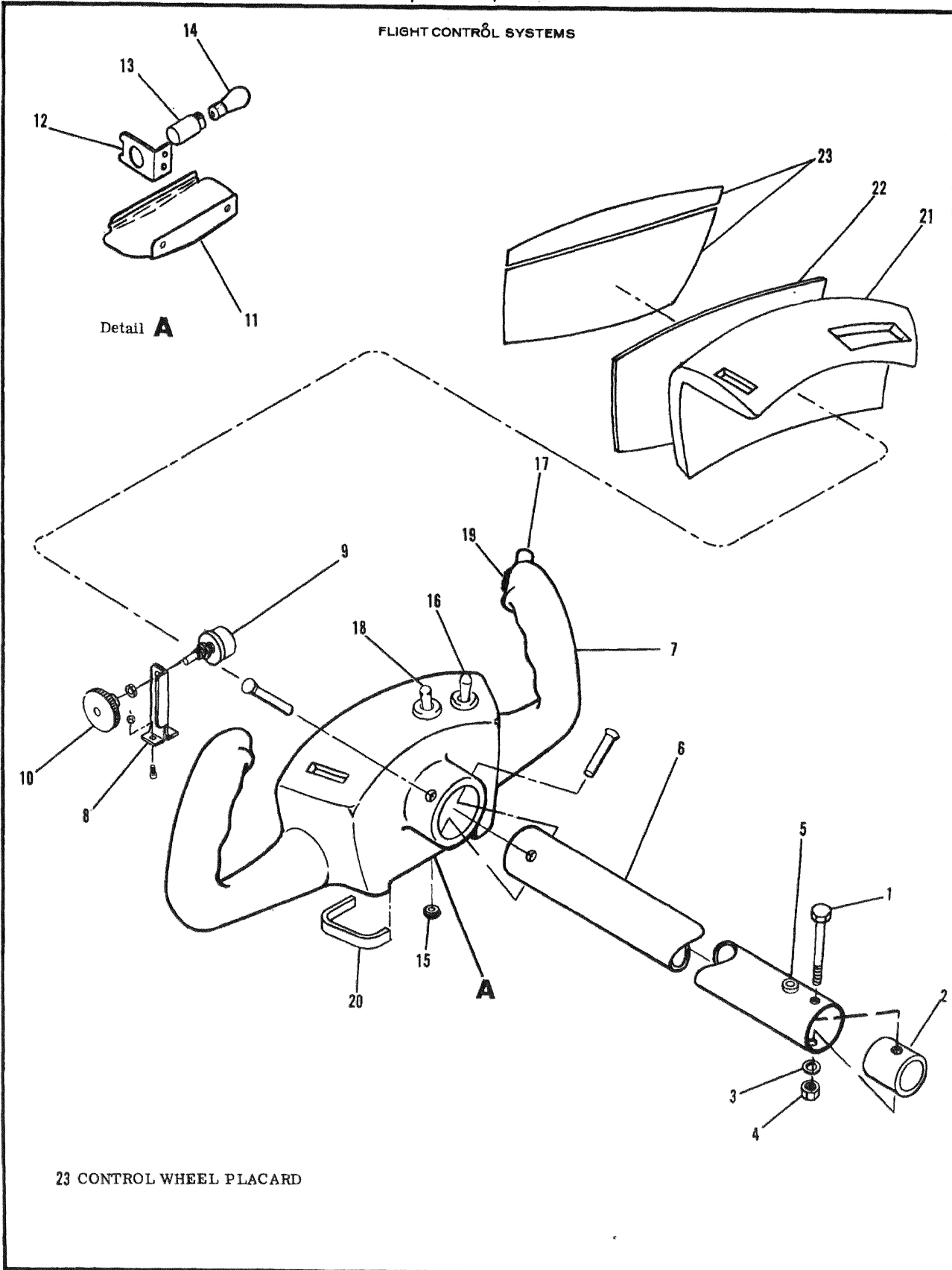


Figure 113. Flight Control Wheel Installation

310P0001 THRU 310Q0400

Section II

310

Group Assembly Parts List

FIGURE AND INDEX NO.	PART NUMBER	DESCRIPTION	UNITS PER ASSY	USABLE ON CODE
		1 2 3 4 5 6 7		
113 -	0896132-38	FLIGHT CONTROL WHEEL INSTALLATION	NP	D
	0896132-35	CONTROL WHEEL & TUBE ASSY-LH STD	1	
	0896132-36	CONTROL WHEEL & TUBE ASSY AUTOPILOT	1	
	0896132-40	CONTROL WHEEL & TUBE ASSY MICROPHONE SWITCH	1	
	0896132-41	CONTROL WHEEL & TUBE ASSY MICROPHONE SWITCH & ELECTRIC ELEVATOR TRIM	1	
	0896132-39	CONTROL WHEEL & TUBE ASSY AUTOPILOT & MICROPHONE SWITCH	1	
	0896132-37	CONTROL WHEEL & TUBE ASSY AUTOPILOT & ELEVATOR ELEC TRIM	1	
	0896132-42	CONTROL WHEEL & TUBE ASSY-RH MAP LIGHT	1	C
		CONTROL WHEEL & TUBE ASSY-RH MAP LIGHT & MICROPHONE SWITCH	1	
		ATTACHING PARTS		
-1	NAS1103-21	BOLT	1	
-2	0860220-1	BUSHING	1	
-3	AN960-10	WASHER	1	
-4	MS21044N3	NUT	1	
-5	9606	GROMMET		
-6	0860221-11	CONTROL TUBE-LH FSD 0860221-13	RB	2
	0860221-13	CONTROL TUBE-LH	1	
	0860221-10	CONTROL TUBE-RH FSD 0860221-14	1	
	0860221-14	CONTROL TUBE-RH	1	
-7	0861326-1	CONTROL WHEEL ASSY STD LH & RH	2	
	0861326-22	CONTROL WHEEL ASSY AUTOPILOT	1	
	0861326-23	CONTROL WHEEL ASSY-LH AUTOPILOT & MICROPHONE SWITCH OR MICROPHONE SWITCH	1	
	0861326-19	CONTROL WHEEL ASSY AUTOPILOT MICROPHONE SWITCH & ELECTRIC TRIM OR MICROPHONE SWITCH & ELECTRIC TRIM	1	
	0861326-30	CONTROL WHEEL ASSY-RH MAP LIGHT & MICROPHONE SWITCH	1	C
	0861324-3	ATTACHING PARTS		
		RIVET	2	
	0861129-8	SILKSCREEN-MAP LIGHT WHITE LETTERING	1	
	0861129-7	SILKSCREEN-MAP LIGHT BLACK LETTERING	1	
	0861129-6	SILKSCREEN-AUTOPILOT WHITE LETTERING	1	
	0861129-5	SILKSCREEN-AUTOPILOT BLACK LETTERING	1	
	0861129-4	SILKSCREEN-ELEVATOR TRIM WHITE LETTERING	1	
	0861129-3	SILKSCREEN-ELEVATOR TRIM BLACK LETTERING	1	
	0861129-2	SILKSCREEN-AUTOPILOT & ELEV TRIM WHITE LETTERING	1	
	0861129-1	SILKSCREEN-AUTOPILOT & ELEV TRIM BLACK LETTERING	1	
-8	0861128-1	SUPPORT ASSY-RHEOSTAT	1	
		ATTACHING PARTS		
	MS35206-229	SCREW	2	
	MS20364D632C	NUT	2	
-9	E50R1-352A	RHEOSTAT	DM	1
-10	0861329-1	KNOB-RHEOSTAT	1	
-11	0861327-2	COVER-MAP LIGHT FSD 5615012-1	1	
	5615012-1	COVER-MAP LIGHT	1	
		ATTACHING PARTS		
	MS35206-225	SCREW	2	
-12	0861317-2	BRACKET-MAP LIGHT	1	
-13	2109	SOCKET-MAP LIGHT	1	
-14	1309	BULB-MAP LIGHT	COH GE	
-15	MS35489-62	GROMMET	1	
-16	T20057	SWITCH-OVERRIDE USED WITH 800 AUTOPILOT	CSDC	
-17	913	SWITCH-MICROPHONE	SWIN	
-18	T2153	SWITCH-OVERRIDE ELEC ELEVATOR TRIM	HETH	
-19	305-4320	SWITCH-ELEVATOR ELEC TRIM FSD 305-4308	ANEL	A
	305-4308	SWITCH-ELEVATOR ELEC TRIM	ANEL	B
	0861354-1	BUSHING-TRIM SWITCH	1	
	AN56584H2	SET SCREW	1	
-20	0861325-12	RUB STRIP	2	
-21	5619135-2	PAD-SAFETY CONTROL WHEEL LH WEU 5619135-4	1	C
	5619135-1	PAD-SAFETY CONTROL WHEEL RH WEU 5619135-3	1	C
-22	0861330-2	FACE PLATE-CONTROL WHEEL	1	C
-23	SEE FIG 1	PLACARD-CONTROL WHEEL INSIGNIA	REF	

ⓐ WHEN ORDERING THIS PART THE ORDER MUST BE ACCOMPANIED BY THE COMPLETE FINISH & TRIM PLATE NUMBER & AIRCRAFT SERIAL NUMBER

*---WHEN ORDERING THIS PART ORDER LH & RH PAD AS A MATCHED SET

A---310P0001 THRU 310P0166
 B---310P0167 THRU 310Q0400
 C---310Q0201 THRU 310Q0400
 D---310P0001 THRU 310Q0400

310Q0401 AND ON

Section II
Group Assembly Parts List

FLIGHT CONTROL SYSTEMS

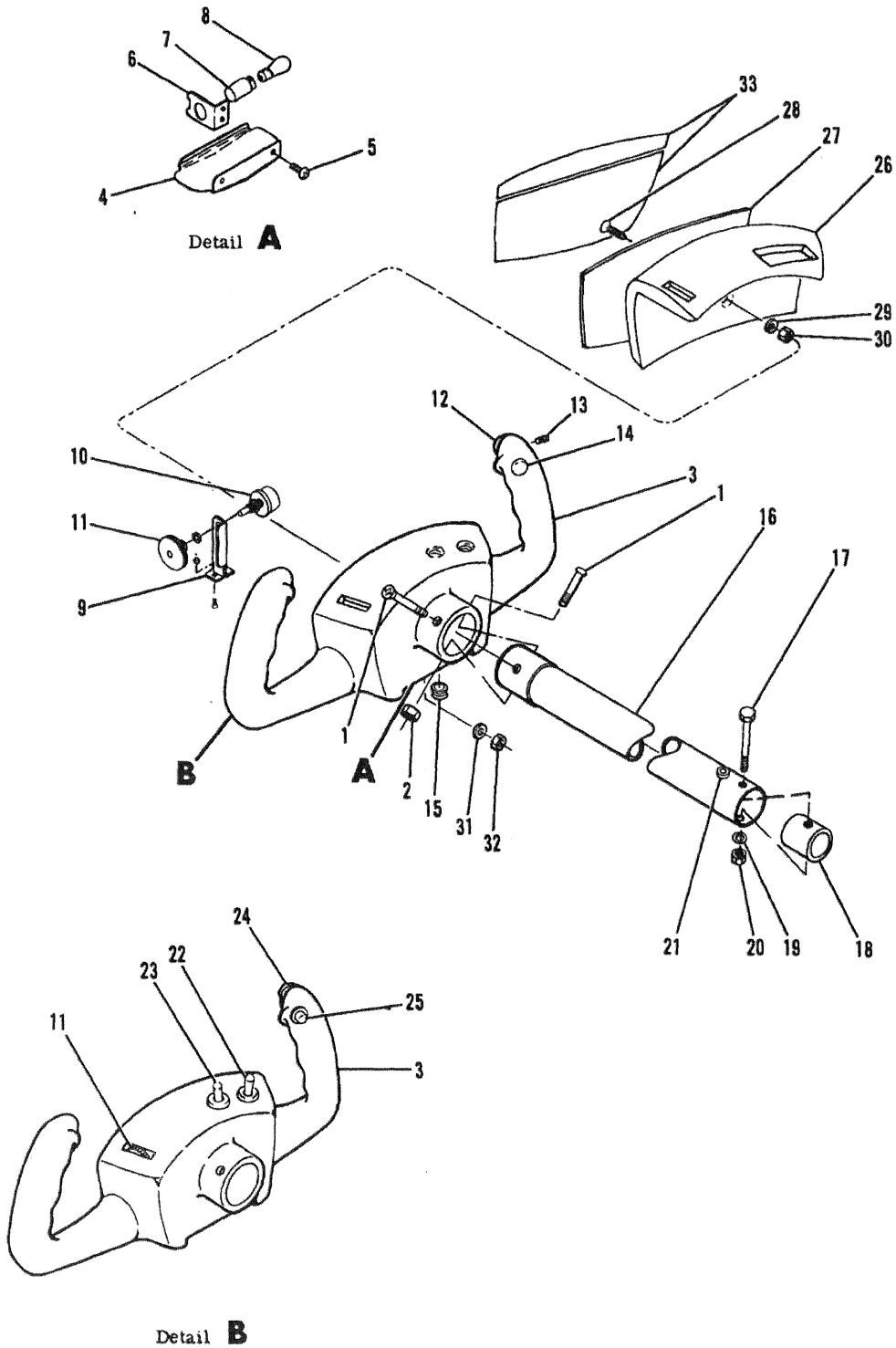


Figure 114. Flight Control Wheel Installation

310Q0401 AND ON

Section II Group Assembly Parts List

310

FIGURE AND INDEX NO.	PART NUMBER	DESCRIPTION	UNITS PER ASSY							USABLE ON CODE	
			1	2	3	4	5	6	7		
114 -	5261001-5 5261001-6	FLIGHT CONTROL WHEEL INSTALLATION CONTROL WHEEL ASSY-LH CONTROL WHEEL ASSY-RH								NP 1 1	A
-1	MS27039-1-40	ATTACHING PARTS								2	
-2	MS21083N3	SCREW NUT								2 2	
-3	0861326-25 0861326-26 5615012-1	CONTROL WHEEL-LH CONTROL WHEEL-RH COVER-MAP LIGHT								1 1 1	
-4	MS35206-225	ATTACHING PARTS								2	
-5	MS35206-225	SCREW								2	
-6	0861317-2	BRACKET-MAP LIGHT								1	
-7	2109	SOCKET-MAP LIGHT								1	
-8	1309	BULB-MAP LIGHT								1	
-9	0861328-1	SUPPORT ASSY-RHEOSTAT								1	
	MS35206-230 MS21083N06	ATTACHING PARTS SCREW NUT								2 2	
-10	E50R1-352A	RHEOSTAT								1	OM
-11	0861329-1	KNOB-RHEOSTAT								1	
-12	5261002-1	PLUG-LH WHEEL								1	
-13	AN565B4H3	SET SCREW-LH WHEEL								1	
-14	CM2692-16-3B	PLUG BUTTON								1	
-15	MS35489-62	GROMMET								1	
-16	0860221-17 0860221-18	CONTROL TUBE ASSY-LH CONTROL TUBE ASSY-RH								1 1	
-17	NAS1103-21	ATTACHING PARTS								1	
-18	0860220-1	BOLT								1	
-19	AN960-10	BUSHING								1	
-20	MS21044N3	WASHER NUT								1 1	
-21	9606	GROMMET								2	
-22	T2114 T20057 T20167	SWITCH-AUTOPILOT SWITCH-AUTOPILOT SWITCH-YAW DAMPER			OVER	RI				1 1 1	RB CSDC CSDC
	CM2692-8-1B T2153	PLUG BUTTON SWITCH-ELECTRIC TRIM								1 1	CSDC CSDC
-23	CM2692-8-1B 305-4308 0861354-1	PLUG BUTTON SWITCH-ELECTRIC TRIM BUSHING-ELECTRIC TRIM SWITCH								1 1 1	CSDC ANEL
-24	913	SWITCH-MICROPHONE								1	
-25	5619135-2	PAD-CONTROL WHEEL LH								1	
-26	5619135-4 5619135-1 5619135-3 9754034-4 9754034-1B	PAD-CONTROL WHEEL LH PAD-CONTROL WHEEL RH PAD-CONTROL WHEEL RH PAD-CONTROL WHEEL RH PAD-CONTROL WHEEL			WEU 5619135-4 WEU 5619135-3					1 1 1 1 1	F G G D D E E F F G G
-27	0861330-2 9910164-1	PLATE-FACE INSERT-CONTROL WHEEL			USED WITH FLIGHT DIRECTOR USED WITH FLIGHT DIRECTOR					1 1	F G
-28	MS24693S53 MS24693S52	ATTACHING PARTS SCREW SCREW								1 1	F G
-29	AN960D10	WASHER								1	F
-30	MS21042L08	NUT								1	F
-31	MS35333-38	WASHER								1	F
-32	MS20341-8C 0861356-6 MS35206-244	NUT ANGLE SCREW								1 1 1	F G G
-33	SEE FIG 1	INSIGNIA-CONTROL WHEEL								1	REF

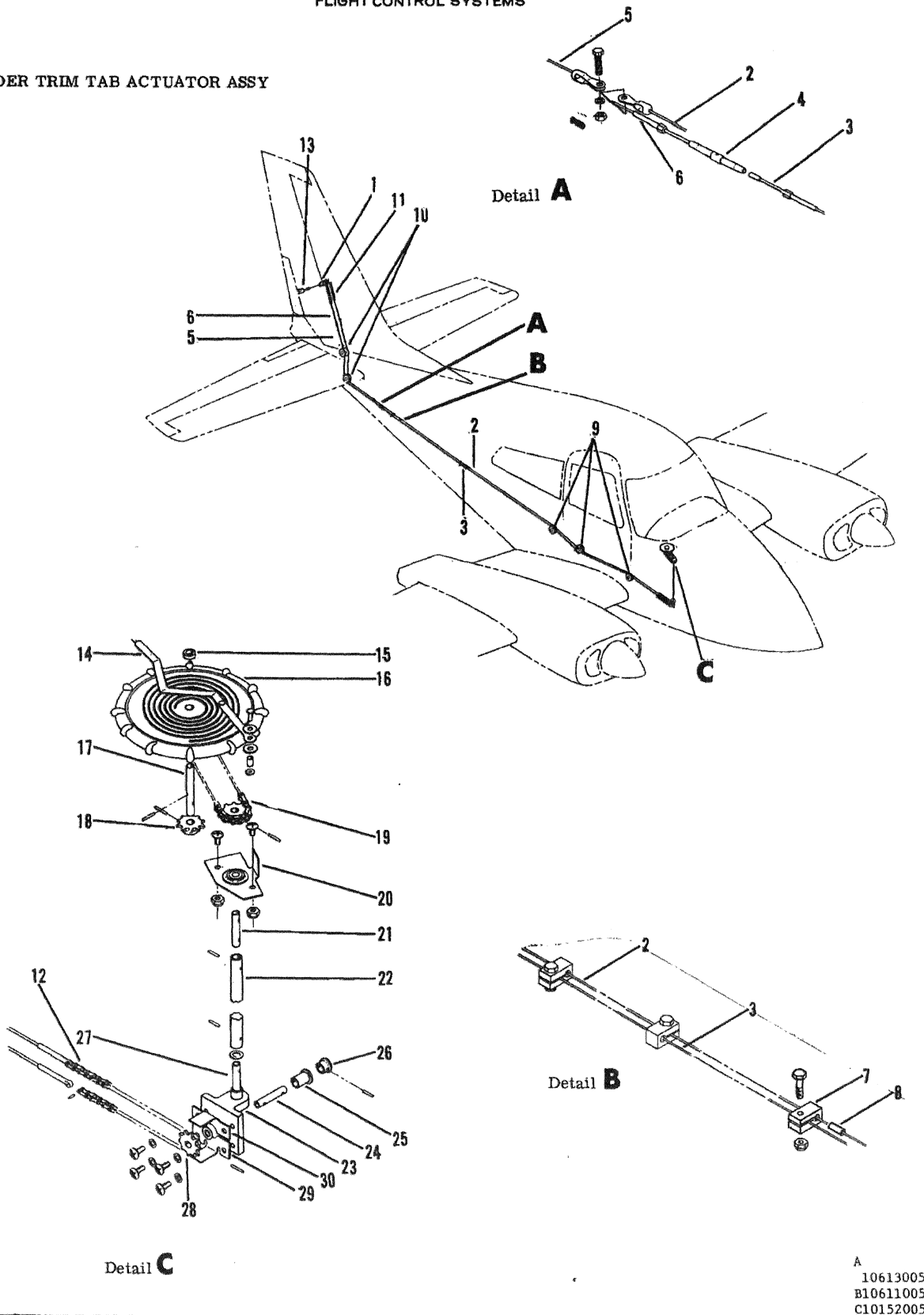
*---WHEN ORDERING THIS PART ORDER
LH & RH PADS AS A MATCHED SET

A---31000401 E ON
B---31000401 THRU 31000600
C---31000601 E ON
D---31000401 THRU 31000730
E---31000731 E ON
F---31000401 THRU 31000900
G---31000901 E ON

Section II
Group Assembly Parts List

FLIGHT CONTROL SYSTEMS

1 RUDDER TRIM TAB ACTUATOR ASSY



A
10613005
B10611005
C10152005

Figure 115. Rudder Trim Control System

Section II
Group Assembly Parts List

FIGURE AND INDEX NO.	PART NUMBER	DESCRIPTION	UNITS PER ASSY							USABLE ON CODE	
			1	2	3	4	5	6	7		
115 -1	SEE FIG 119	RUDDER TRIM CONTROL SYSTEM ACTUATOR ASSEMBLY-RUDDER TRIM TAB								NP	
	0432126-1	ATTACHING PARTS								3	
	AN3-5A	BOLT								6	
	AN960-10L	WASHER								6	
-2	0860207-15	CABLE-RUDDER TAB FWD LH								1	
-3	0860207-16	CABLE-RUDDER TAB FWD RH								1	
-4	MS21251B25	BARREL-TURNBUCKLE CABLE CONNECT								1	
-5	0860207-108	CABLE-RUDDER TAB AFT LH								1	
	AN23-8	ATTACHING PARTS								1	
	AN960-10	BOLT								1	
	MS17826-3	WASHER								1	
	MS24665-132	NUT								1	
		COTTER PIN								1	
-6	0860207-109	CABLE-RUDDER TAB AFT RH								1	
-7	0411523	BLOCK								3	
	5115214-1	BLOCK								2	C
	AN3-6A	ATTACHING PARTS								1	
	MS21042L3	BOLT								1	
		NUT								1	
-8	0411524	BUSHING								3	
-9	S378-1	PULLEY								6	
	AN3-10A	ATTACHING PARTS								1	
	MS21042L3	BOLT								1	
		NUT								1	
-10	S378-1	PULLEY								4	
	AN3-10A	ATTACHING PARTS								1	
	MS21042L3	BOLT								1	
	MS24665-285	NUT								4	
		PIN-COTTER CABLE GUARD								4	
-11	0860175-9	CHAIN-RUDDER TRIM AFT								1	
-12	0860175-9	CHAIN-RUDDER TRIM FWD								1	
-13	0832141-7	ROD ASSY-PUSH PULL								1	
	NAS464P4-3	ATTACHING PARTS								1	
	AN960-416	BOLT								1	
	MS17826-4	WASHER								1	
	MS24665-134	NUT								1	
	NAS464P3-8	PIN-COTTER								1	
	AN960-10	BOLT								1	
	MS17826-3	WASHER								1	
	MS24665-134	NUT								1	
		PIN-COTTER								1	
-14	0861100-63	INDICATOR-RUDDER TRIM								1	
	AN960D10	ATTACHING PARTS								2	
	0413283	WASHER								1	
	AN960D4	SPACER								1	
		WASHER								1	
-15	NAS43HT4-5	SPACER								2	
-16	0861100-165	WHEEL ASSY-RUDDER TRIM								1	
	NAS561P3-8	ATTACHING PARTS								1	
		ROLL PIN								1	
-17	0861100-23	SHAFT-RUDDER TRIM WHEEL								1	
-18	0432134-1	SPROCKET-RUDDER TRIM WHEEL								2	
	NAS561P3-8	ATTACHING PARTS								1	
	MS24665-132	ROLL PIN								1	
	0860175-8	PIN-COTTER								1	
-20	0861100-71	CHAIN-UPR								1	
	MS35206-242	PLATE ASSY								1	
	MS21042L08	ATTACHING PARTS								2	
		SCREW								2	
		NUT								2	
-21	0861100-7	SHAFT-TORQUE TUBE FSD 0861100-102								1	A
-22	0861102-1	SHAFT-TORQUE TUBE								1	B
	NAS561P3-7	TORQUE TUBE ASSY-RUDDER TRIM								1	
	MS2027088	ATTACHING PARTS								2	
		ROLL PIN								1	
	AN960-416L	UNIVERSAL-TORQUE TUBE								1	
	0861100-12	ATTACHING PARTS								1	
	MS35206-243	WASHER-TORQUE TUBE								4	
	MS35333-38	WASHER								4	
		GEAR ASSY								1	
-23	0861100-5	ATTACHING PARTS								1	
-24	0861100-7	SUPPORT-GEAR ASSY								1	
	0861100-102	SHAFT-SPROCKET FSD 0861100-102								1	A
-25	S1004-2A	SHAFT-SPROCKET								1	B
		BEARING								1	

CONTINUED

Section II
Group Assembly Parts List

FIGURE AND INDEX NO.	PART NUMBER	DESCRIPTION							UNITS PER ASSY	USABLE ON CODE
		1	2	3	4	5	6	7		
115 -26	C861100-6	2	
	NAS561P3-7	1	
-27	0861100-102	1	
-28	AN960-416L	1	
	0421234-1	1	
	NAS561P3-8	1	
-29	0861100-100	1	
-30	0861100-101	1	
		A---310P0001 THRU 310P0160 B---310P0161 & ON C---310P0001 TO 310Q0001 D---310Q0001 & ON								

5

5

5

Section II
Group Assembly Parts List

FLIGHT CONTROL SYSTEMS

1 AILERON TRIM TAB ACTUATOR ASSY

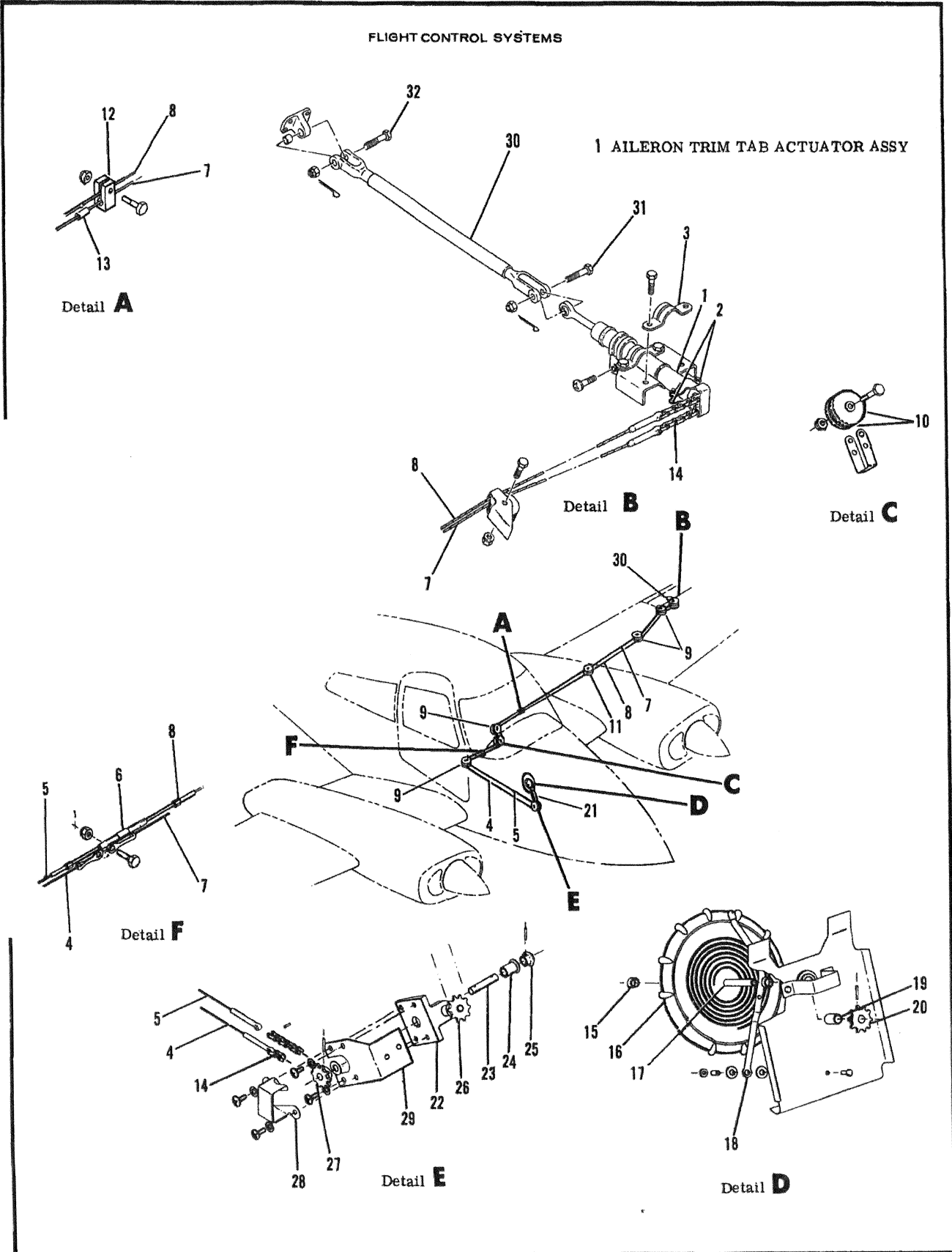


Figure 116. Aileron Trim Control System

Section II
Group Assembly Parts List

FIGURE AND INDEX NO.	PART NUMBER	DESCRIPTION	UNITS PER ASSY							USABLE ON CODE		
			1	2	3	4	5	6	7			
116 -1	SEE FIG 119	AILERON TRIM CONTROL SYSTEM ACTUATOR ASSY-AILERON TRIM TAB	NP	
-2	0820029-1	CLIP	2	
	AN3-4A	BOLT	4	
	MS21042L3	NUT	4	
-3	MS21103D13	CLAMP	1	
	MS27039-1-08	SCREW	1	
	MS21042L3	NUT	1	
-4	0860207-22	CABLE-AILERON TRIM LH	1	
-5	0860207-21	CABLE-AILERON TRIM RH	1	
-6	MS21251B2S	BARREL-TURNBUCKLE	1	
-7	0860207-19	CABLE-AILERON TRIM TOP	1	
-8	0860207-20	CABLE-AILERON TRIM BOTTOM	1	
		ATTACHING PARTS		
	AN23-8	BOLT	1	
	MS17826-3	NUT	1	
	AN960-10	WASHER	1	
	MS24665-132	COTTER PIN	1	
-9	S378-1	PULLEY	8	
		ATTACHING PARTS		
	AN3-10A	BOLT	1	
	MS21042L3	NUT	1	
-10	S378-1	PULLEY	2	
		ATTACHING PARTS		
	0811000-119	GUARD ASSY-CABLE	1	
	AN3-10A	BOLT	1	
	MS21042L3	NUT	1	
-11	S378-1	PULLEY	2	
		ATTACHING PARTS		
	AN3-10A	BOLT	1	
	MS21042L3	NUT	1	
-12	MS24665-136	PIN-COTTER CABLE GUARD	1	
	5115214-1	BLOCK	2	
		ATTACHING PARTS		
	AN3-6A	BOLT	1	
	MS21042L3	NUT	1	
-13	0411524	BUSHING	2	
-14	0860175-7	CHAIN-AILERON TRIM LOWER & ACTUATOR	2	
-15	NAS43HT4-8	SPACER	2	
-16	0861100-165	WHEEL-AILERON TRIM	1	
-17	0861100-24	SHAFT-WHEEL	1	
-18	0861100-64	INDICATOR-AILERON TRIM	1	
		ATTACHING PARTS		
	AN960D10	WASHER	2	
	0413283	SPACER	1	
	AN960D4	WASHER	1	
-19	NAS43HT4-22	SPACER	1	
-20	0432134-1	SPROCKET-AILERON TRIM	1	
		ATTACHING PARTS		
	NAS561P3-8	ROLL PIN	1	
-21	0860175-6	CHAIN-AILERON TRIM UPPER	1	
	0861100-11	GEAR ASSY-AILERON TRIM	1	
		ATTACHING PARTS		
	MS35206-243	SCREW	4	
	MS35333-38	WASHER	4	
-22	0861100-5	SUPPORT-GEAR ASSY	1	
-23	0861100-7	SHAFT-GEAR ASSY	2	
-24	S1004-2A	BEARING	2	
-25	0861100-6	GEAR-MITER	2	
		ATTACHING PARTS		
	NAS561P3-8	ROLL PIN	1	
-26	0432134-1	SPROCKET-GEAR ASSY	1	
		ATTACHING PARTS		
	AN960-416L	WASHER	1	
	NAS561P3-8	ROLL PIN	1	
-27	0432141-1	SPROCKET	1	
		ATTACHING PARTS		
	AN960-416L	WASHER	1	
	NAS561P3-8	ROLL PIN	1	
-28	0861100-97	GUARD-SPROCKET	1	
-29	0861100-98	SUPPORT-GUARD	1	
	0861100-99	GUARD-SPROCKET	1	
-30	5025019-1	ROD ASSY-PUSH PULL	1	
		ATTACHING PARTS		
-31	NAS464P3-8	BOLT	1	
	AN960-10L	WASHER	1	
	MS17826-3	NUT	1	
	MS24665-132	PIN-COTTER	1	
-32	AN3-5	BOLT	1	
	0862100-91	SPACER	1	
	MS17826-3	NUT	1	
	MS24665-132	PIN-COTTER	1	

Section II
Group Assembly Parts List

FLIGHT CONTROL SYSTEMS

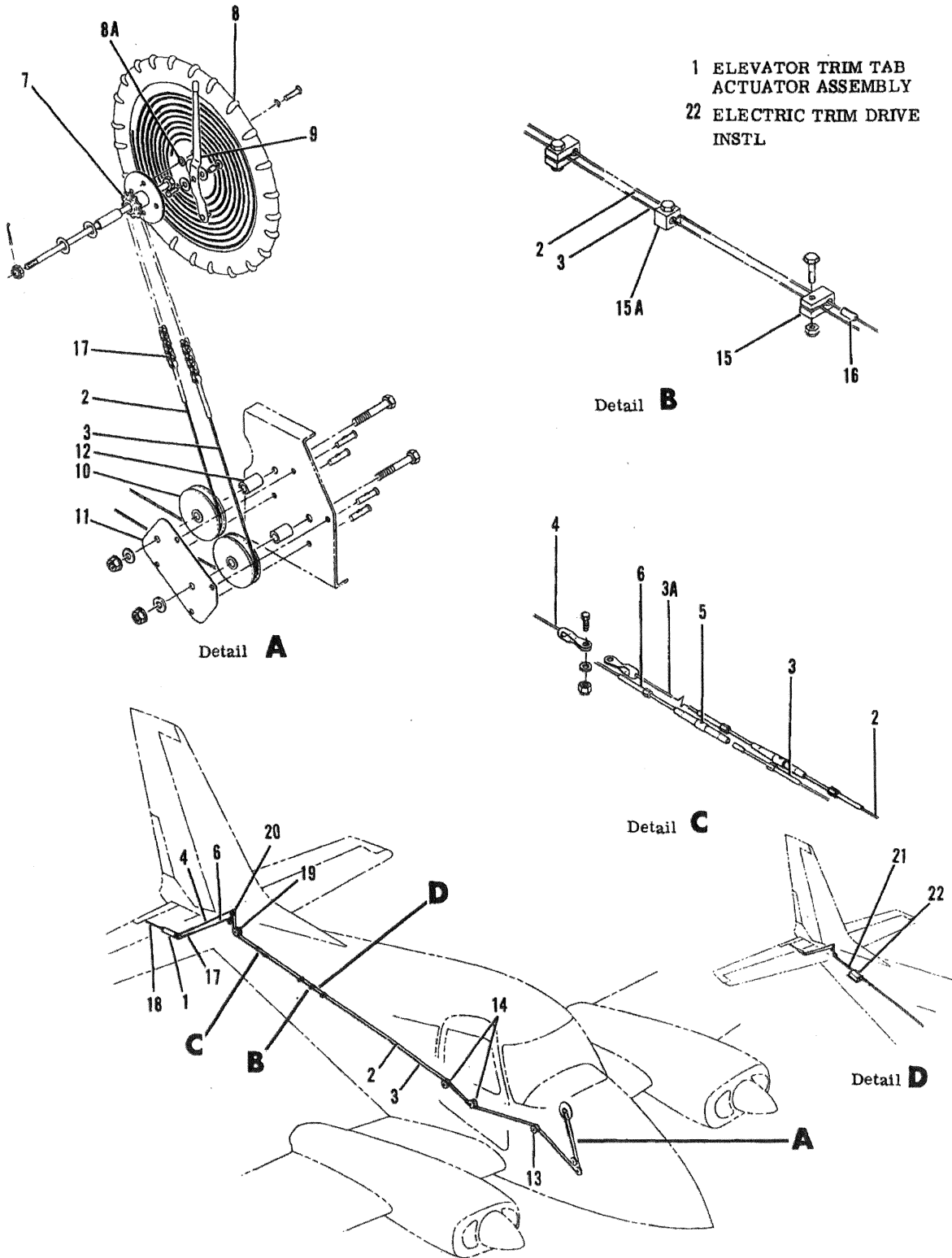


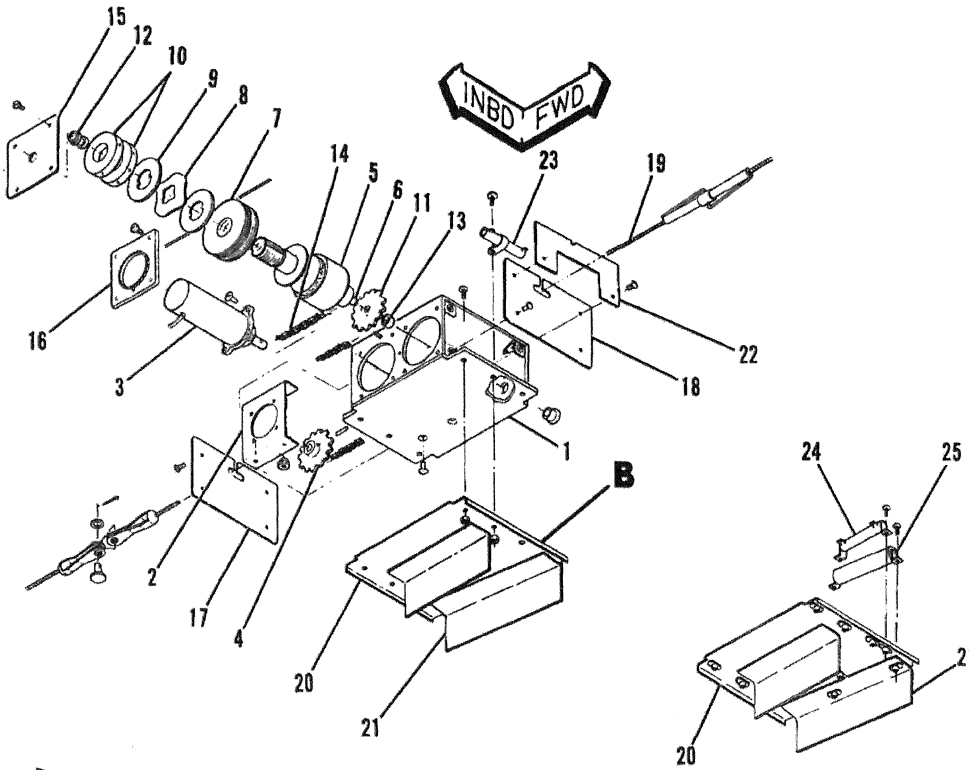
Figure 117. Elevator Trim Control System

Section II
Group Assembly Parts List

FIGURE AND INDEX NO.	PART NUMBER	DESCRIPTION	1 2 3 4 5 6 7							UNITS PER ASSY	USABLE ON CODE	
			1	2	3	4	5	6	7			
117 -1	SEE FIG 119	ELEVATOR TRIM CONTROL SYSTEM									NP	
	0432126	ACTUATOR ASSY-ELEVATOR TRIM TAB									1	
	AN3-4A	ATTACHING PARTS									2	
	0832150-1	CLAMP									4	
	MS35206-246	BOLT									1	
	AN960-8L	SPACER									4	
	MS21042L08	SCREW									4	
		WASHER									4	
		NUT									4	
-2	0860207-145	CABLE-FWD LH									1	
-3	0860207-144	CABLE-FWD RH									1	
-3A	0860207-153	CABLE-CTR LH USE WHEN ELECTRIC TRIM IS NOT INSTALLED									1	
-4	0860207-147	CABLE-AFT LH									1	
		ATTACHING PARTS									1	
	AN23-8	BOLT									1	
	AN960-10	WASHER									1	
	MS17826-3	NUT									1	
	MS24665-132	COTTER PIN									1	
-5	MS21251-2S	BARREL									1	
	MS21251-2L	BARREL USED WITH ELECTRIC TRIM SYSTEM									1	
-6	0860207-146	CABLE-AFT RH									1	
-7	0861100-44	SPROCKET-TRIM CHAIN									1	
		ATTACHING PARTS									1	
	AN3-62	BOLT									1	
	51003-4A	BEARING									1	
	AN960B516	WASHER									1	
	AN960-516L	WASHER									1	
	AN320-3	NUT									1	
	MS24665-132	PIN-COTTER									1	
-8	0861100-164	WHEEL-ELEVATOR TRIM									1	
		ATTACHING PARTS									4	
	MS24693529	SCREW									4	
-8A	MS35790-1	WASHER LOCK									4	
	AN960C10	WASHER									4	
-9	0861157-1	ARM-TRIM INDICATOR									1	
		ATTACHING PARTS									1	
	AN960D4	WASHER									1	
	0413283	SPACER									1	
	AN960D10	WASHER									2	
-10	MS20219-2	PULLEY-FWD									2	
		ATTACHING PARTS									1	
	AN4-15A	BOLT									1	
	NAS43DD4-41	SPACER									1	
	AN960-416L	WASHER									1	
	MS21042L4	NUT									1	
-11	0861106-6	GUARD-CABLE									1	
-12	NAS427K9	PIN-CABLE GUARD									4	
-13	S378-1	PULLEY									2	
		ATTACHING PARTS									1	
	AN3-10A	BOLT									1	
	MS21042L3	NUT									1	
-14	S378-1	PULLEY									4	
		ATTACHING PARTS									1	
	AN3-10A	BOLT									1	
	MS21042L3	NUT									1	
-15	0411523	BLOCK									3	
		ATTACHING PARTS									1	
	AN3-6A	BOLT									1	
	MS21042L3	NUT									1	
-15A	5115214-1	BLOCK USED WHEN 400A AUTOPILOT IS INSTLD									1	
-16	0411524	BUSHING									3	
-17	0860175-5	CHAIN-ELEVATOR TRIM									2	
-18	0832141-5	TUBE ASSY-PUSH PULL TRIM TAB ACTUATOR									1	
		ATTACHING PARTS									2	
	NAS464P3-8	BOLT									2	
	AN960-10L	WASHER									2	
	MS17826-3	NUT									2	
	MS24665-132	PIN-COTTER									2	
-19	S378-2	PULLEY									2	
		ATTACHING PARTS									1	
	AN3-10A	BOLT									1	
	MS21042L3	NUT									1	
-20	MS24665-285	PIN-COTTER CABLE GUARD									2	
	S378-1	PULLEY									2	
		ATTACHING PARTS									1	
	AN3-5A	BOLT									1	
	MS21042L3	NUT									1	
-21	MS24665-283	PIN-COTTER CABLE GUARD									4	
-22	MS21251-2L	BARREL USED WITH ELECTRIC TRIM SYSTEM									1	
	SEE FIG 118	ELECTRIC TRIM DRIVE INSTL									1	
A---31000001 & ON												

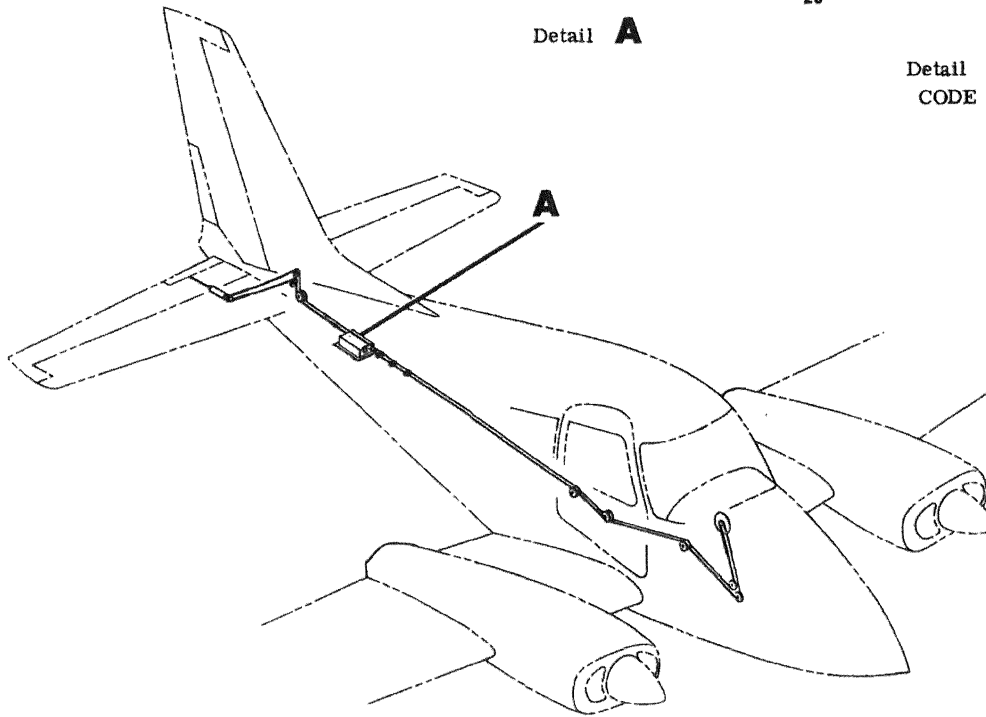
Section II
Group Assembly Parts List

FLIGHT CONTROL SYSTEMS



Detail **A**

Detail **B**
CODE F



A, B10153003
10152003

Figure 118. Electric Trim Drive Installation

Section II
Group Assembly Parts List

FIGURE AND INDEX NO.	PART NUMBER	DESCRIPTION	1 2 3 4 5 6 7							UNITS PER ASSY	USABLE ON CODE	
			1	2	3	4	5	6	7			
118 -	1560322-31	ELECTRIC TRIM DRIVE INSTALLATION	NP	
	1560322-47	TRIM ASSY-ELECTRIC DRIVE FSD 5115231-8	1	A
	5115231-8	TRIM ASSY-ELECTRIC DRIVE FSD 5115231-8	1	B
	MS35206-245	ACTUATOR ASSY-ELECTRIC TRIM	6	D
	MS35206-244	ATTACHING PARTS	8	C
	MS21044N08	SCREW	6	D
	MS21042L08	SCREW	6	C
		NUT	4	C
		NUT	4	C
	-1	1560322-1	HOUSING ASSY-ELECTRIC TRIM	1	
		S1004-44A	BEARING	1	
		1560322-40	MOTOR ASSY-ELECTRIC TRIM	1	
		5115231-3	MOTOR ASSY-ELECTRIC TRIM	1	B
		5115231-6	MOTOR ASSY-ELECTRIC TRIM	1	C
	-2	1560322-9	SUPPORT ASSY	1	
	-3	9910059-2	MOTOR-ELECTRIC TRIM	1	
		MS35200-244	ATTACHING PARTS	4	
			SCREW	4	
	-4	1560322-13	SPROCKET	1	
		NAS561P4-8	ATTACHING PARTS	1	
		PIN	1		
-5	1560321-1	CLUTCH ASSY-ELECTRIC TRIM	1		
-6	1560323-1	CLUTCH	1		
-7	1560321-2	SHAFT	1		
-7	1560321-3	DRUM ASSY	1		
	S1003-84	BEARING	1		
-8	1560321-9	SPRING	1		
	27968	SPRING ALT FOR 1560321-9	ARC		
-9	1560321-4	WASHER	1		
-10	1560321-10	NUT	2		
	28393	NUT ALT FOR 1560321-10	ARC		
-11	1560321-6	SPROCKET	1		
	MS2469353	ATTACHING PARTS	3		
		SCREW	3		
-12	NAS 76A4-009	BUSHING	1		
-13	NAS 76A4-004	BUSHING	1		
-14	1560322-15	CHAIN ASSY	1		
-15	1560322-5	COVER ASSY-CLUTCH	1		
	MS35265-41	ATTACHING PARTS	4		
		SCREW	4		
	S1004-44A	BEARING	1		
-16	1560322-18	COVER ASSY-MOTOR	1		
	MS35265-41	ATTACHING PARTS	1		
		SCREW	4		
-17	1560322-3	COVER-HOUSING	1		
	5115233-1	COVER-HOUSING	1	D	
	MS35206-244	ATTACHING PARTS	4	C	
		SCREW	4		
-18	MS35489-4	GROMMET	1		
	1560322-22	COVER-HOUSING	1	C	
	5115233-1	COVER-HOUSING	1	C	
	MS35206-244	ATTACHING PARTS	4	C	
		SCREW	4		
-19	1560100-328	CABLE ASSY	1		
-20	0890207-159	CABLE ASSY USED WITH 400A AUTOPILOT	1	G	
	0832108-1	BRACKET ASSY	1		
	0832108-4	BRACKET ASSY	1		
-21	0832109-2	ANGLE	1		
	0832109-3	ANGLE ASSY	1		
-22	0832109-1	BLOCK-RUB	1		
-23	1714	RESISTOR	DM		
	AN742-5	CLAMP RESISTOR ATTACH	DM		
-24	1714	RESISTOR	1		
	MS35206-228	ATTACHING PARTS	2		
	#5	SCREW	2		
		CLIP	DM		
-25	0364	RESISTOR	DM		
	MS35206-228	ATTACHING PARTS	1	F	
		SCREW	2		

A---310P0001 THRU 310P0201
 B---310P0202 THRU 310Q0089
 C---310Q0090 & DN
 D---310P0001 THRU 310Q0089
 E---310P0001 THRU 310Q1042
 F---310Q1043 & DN
 G---310P0001 THRU 310Q0089

Section II
Group Assembly Parts List

FLIGHT CONTROL SYSTEMS

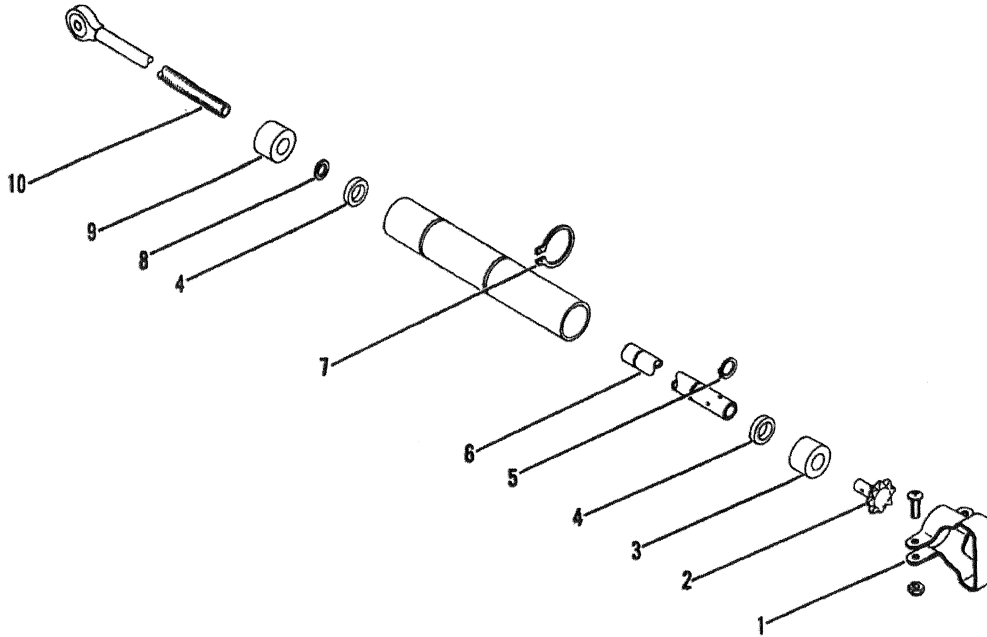


Figure 119. Trim Tab Actuator Assembly

FIGURE AND INDEX NO.	PART NUMBER	DESCRIPTION	UNITS PER ASSY							USABLE ON CODE			
			1	2	3	4	5	6	7				
119 -		TRIM TAB ACTUATOR ASSEMBLIES											
	1260074-3	• ACTUATOR ASSY-AILERON TRIM TAB											
	1260074-1	• ACTUATOR ASSY-ELEVATOR TRIM TAB											
	0310293-7	• ACTUATOR ASSY-RUDDER TRIM TAB FSO 1260074-6											
-1	1260074-6	• ACTUATOR ASSY-RUDDER TRIM TAB											
	0310422	• GUARD-CHAIN USED ON 0310293-7 & 0310293-16											
	0310422-1	• GUARD-CHAIN USED ON 1260074-3 & 1260074-6											
		ATTACHING PARTS											
	MS35206-245	• SCREW											
	MS21044NOB	• NUT											
-2	0310332	• SPROCKET											
-3	0310297-1	• BEARING-ACTUATOR											
-4	0310295	• COLLAR-ACTUATOR											
-5	MS16624-37	• RING RETAINER-INSIDE USED ON 0310293-7 & 0310293-16											
-6	0831276-3	• SCREW-INTERNAL THREAD USED ON 0310293-7 & 0310293-16											
	0310352-1	• SCREW-INTERNAL THREAD USED ON 0310293-7											
	1260049-1	• SCREW-INTERNAL THREAD USED ON 0310293-16											
	0831277-1	• SCREW-INTERNAL THREAD USED ON 1260074-3											
-7	MS16624-81	• RING RETAINER-OUTSIDE USED ON 1260074-6											
-8	AN6227B5	• PACKING											
-9	0310298-1	• BEARING-ACTUATOR											
-10	0310362-7	• SCREW ASSY-ACTUATOR USED ON 0310293-16 & 1260074-3											
	0310362-5	• SCREW ASSY-ACTUATOR USED ON 1260074-6											
	0310362-11	• SCREW ASSY-ACTUATOR USED ON 0310293-7											
	PN3A	• BEARING											
		A---310P0001 THRU 310Q0494											
		B---310Q0495 & DN											