

Section II
Group Assembly Parts List

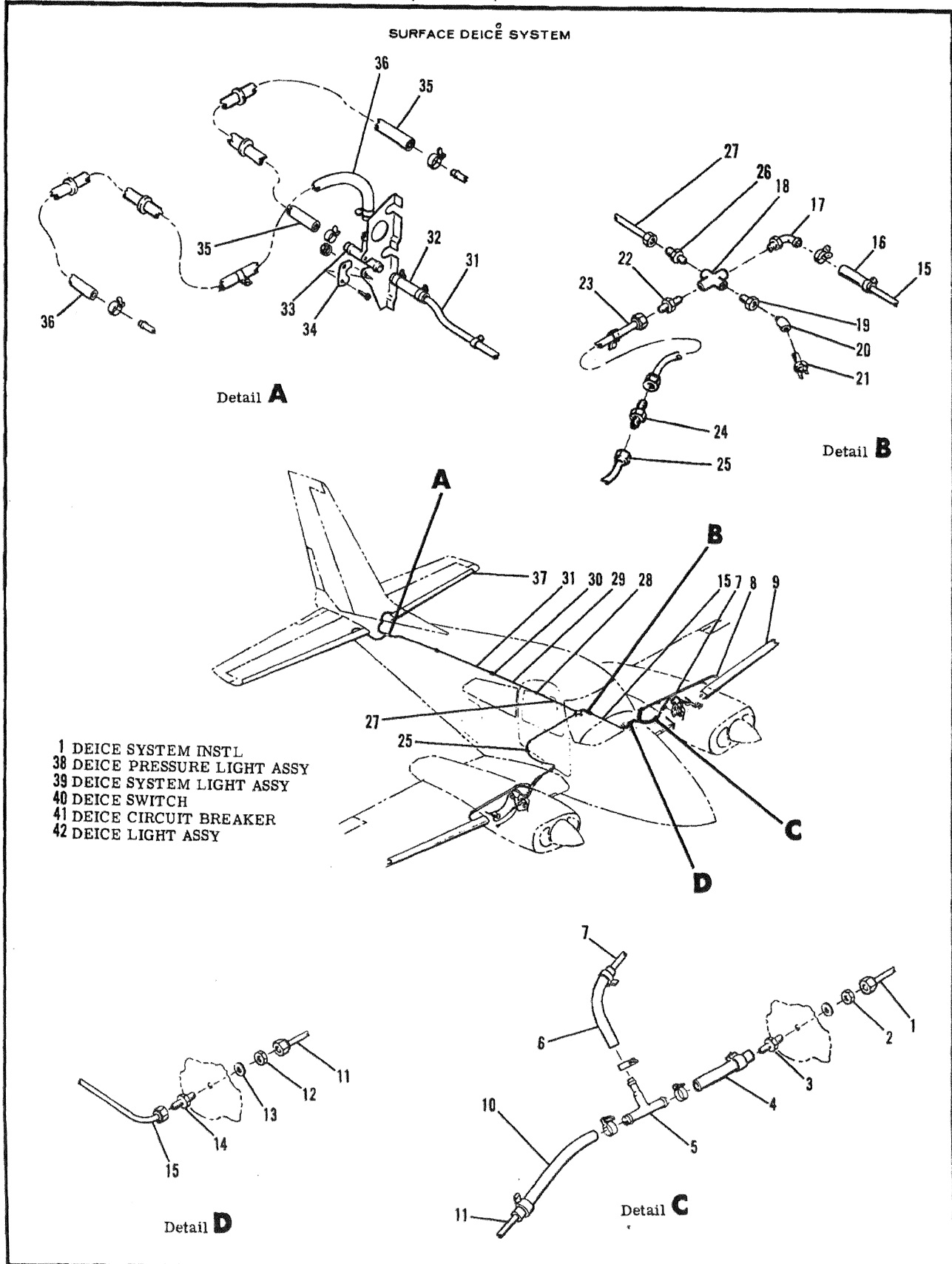


Figure 176. Surface Deice System

Section II
Group Assembly Parts List

FIGURE AND INDEX NO.	PART NUMBER	DESCRIPTION	UNITS PER ASSY							USABLE ON CODE
			1	2	3	4	5	6	7	
176 -		SURFACE DEICE SYSTEM								NP
-1	SEE FIG 178	ENGINE COMPARTMENT DEICE COMPONENTS INSTALLATION								1
-2	AN924-8	NUT								2
-3	AN960PD1216L	WASHER								2
-4	AN807-8	ADAPTER								2
-4	S51-8	HOSE BKI								AR
	NAS397-14	ATTACHING PARTS								2
-5	0870126-10	CLAMP								2
-6	S51-6	TEE ASSY-WING DEICE								AR
-6	S51-6	HOSE-LH BKI								AR
	S51-6	HOSE-RH BKI								2
	NAS397-12	ATTACHING PARTS								2
-7	0800106-297	CLAMP								2
-8	0820517-16	LINE ASSY-TEE TO BOOT								2
	NAS397-10	HOSE ASSY								1
-9	0820517-9	ATTACHING PARTS								1
	11A20215-101	BOOT-WING DEICE LH								GY
	0820517-10	BOOT-WING DEICE LH								1
	11A20215-202	BOOT-WING DEICE RH								GY
-10	S51-8	BOOT-WING DEICE RH								1
	NAS397-14	HOSE BKI								AR
		ATTACHING PARTS								2
-11	0E26018-145	CLAMP								1
	0826018-188	LINE-ASSY-LH TEE TO FUSELAGE								1
	AN743-13	LINE-ASSY-RH TEE TO FUSELAGE								1
	AN742-8	BRACKET								1
	MS35206-242	CLAMP								2
	MS21044NC8	SCREW								2
		NUT								2
-12	AN924-8C	NUT								2
-13	AN960PD1216L	WASHER								2
-14	AN892-8D	UNION								2
-15	0E26018-144	LINE ASSY-FUSELAGE TO CROSS LH								AR
-16	S51-8	HOSE BKI								1
	NAS397-14	ATTACHING PARTS								2
-17	1K1-6-8	CLAMP								1
-18	AN918-3D	ELBCW								ABNE
-19	AN912-3D	CROSS								1
-20	AN915-1D	BUSHING								1
-21	1C1194	ELBCW								1
-22	AN816-8D	SWITCH-PRESSURE								GD
-23	0E26018-142	NIPPLE								1
	MS21919WDG8	LINE ASSY-CROSS TO UNION RH								1
	S102128-12	ATTACHING PARTS								2
	NAS43DD2-13	CLAMP								2
	NAS446-4-3	SCREW								2
		NUT								2
-24	AN815-8D	UNION								1
-25	0826018-154	LINE ASSY-UNION TO FUSELAGE RH								1
-26	AN816-6-6D	NIPPLE								1
-27	0826018-143	LINE ASSY-CROSS TO UNION								1
-28	AN815-6D	UNION								1
-29	CEC0400-28	LINE ASSY-UNION TO UNION								1
-30	AN815-6D	UNION								1
-31	CEC0400-29	LINE ASSY-UNION TO TEE								1
	MS21919DG6	ATTACHING PARTS								4
	S1021210-8	CLAMP								4
	NAS446-5-3	SCREW								4
		NUT								4
-32	0E20517-15	HOSE ASSY								1
	NAS397-10	ATTACHING PARTS								2
		CLAMP								2

CONTINUED

Section II
Group Assembly Parts List

FIGURE AND INDEX NO.	PART NUMBER	DESCRIPTION	UNITS PER ASSY	USABLE ON CODE		
					1	2
176 -33 -34	0820529-1	. TEE ASSY-STABILIZER DEICE	1			
	0820525-1	. CLIP-TEE	1			
	MS25207-261	. ATTACHING PARTS				
	MS21044N3	. SCREW	2			
		. NUT	2			
		---*---				
-35	0820517-14	. HOSE ASSY-LH	1			
-36	0820517-13	. HOSE ASSY-RH	1			
		. ATTACHING PARTS				
	NAS397-10	. CLAMP	2			
	MS219190610	. CLAMP RH ONLY	1			
	S102178-8	. SCREW RH ONLY	1			
	NAS446-4-3	. NUT RH ONLY	1			
		---*---				
	MS35489-18S	. GROMMET	4			
-37	0820517-11	. BOOT-STABILIZER DEICE	2			
	11A20214-001	. BOOT-STABILIZER DEICE ALT FOR 0820517-11	2			
-38	SEE FIG 87	. LIGHT ASSY-DEICE PRESSURE	REF			
-39	SEE FIG 87	. LIGHT ASSY-DEICE SYSTEM	REF			
-40	SEE FIG 87	. SWITCH-DEICE	REF			
-41	SEE FIG 183	. CIRCUIT BREAKER-DEICE	REF			
-42	SEE FIG 187	. LIGHT ASSY-DEICE	REF			

5

5

5

310Q0401 AND ON

Section II
Group Assembly Parts List

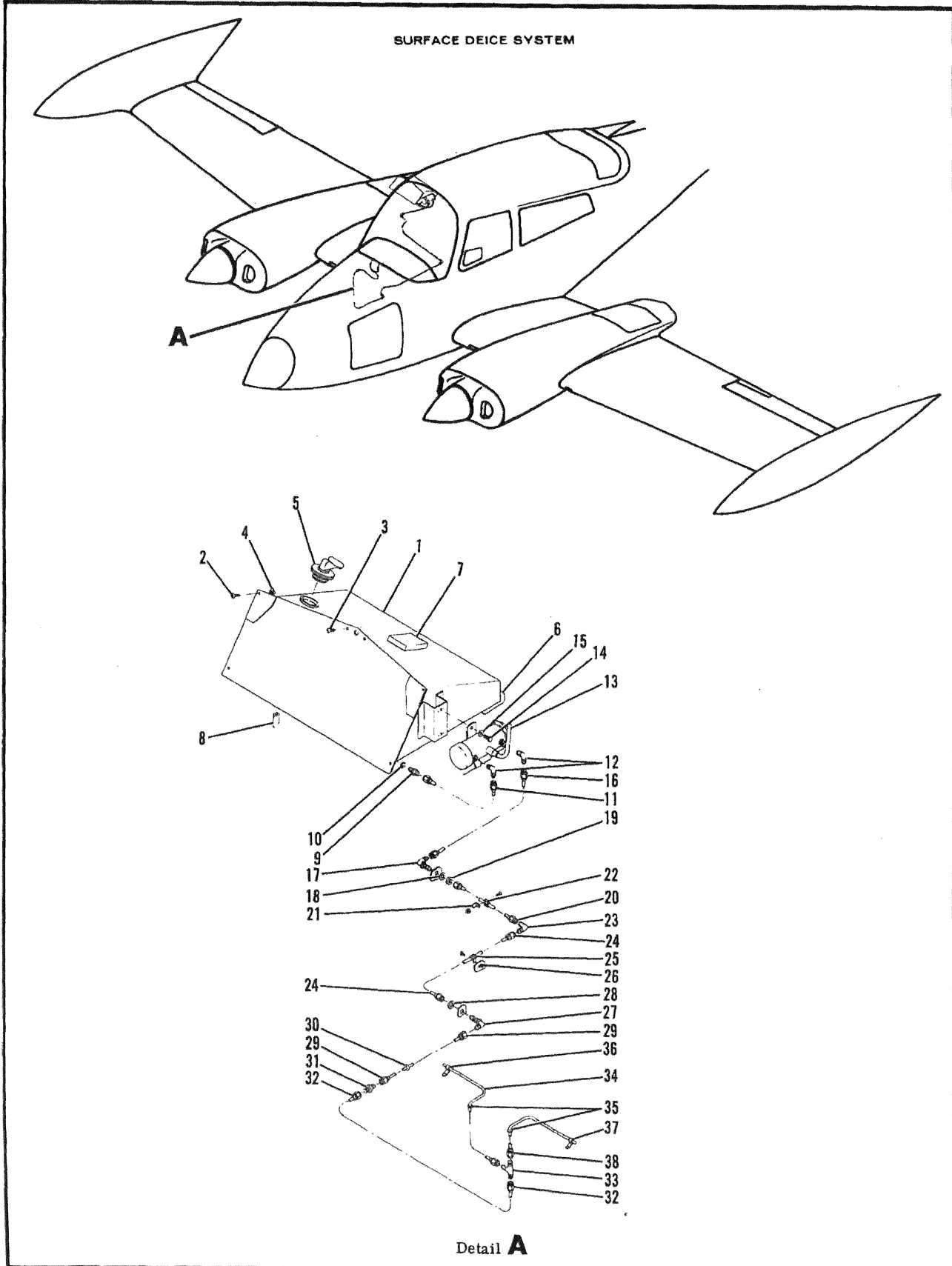


Figure 177. Windshield Anti-Ice System - Alcohol

310Q0401 AND ON

Section II Group Assembly Parts List

310

FIGURE AND INDEX NO.	PART NUMBER	DESCRIPTION	1 2 3 4 5 6 7							UNITS PER ASSY	USABLE ON CODE	
			1	2	3	4	5	6	7			
177 -1	5626016-1	WINDSHIELD ANTI-ICE SYSTEM-ALCOHOL WELDED									NP	A
-2	MS27039-1-06	ATTACHING PARTS									2	
-3	MS27039-0806	SCREW									2	
-4	MS21069L3	NUTPLATE									2	
-5	S1015	SNAP-TITE CLOSURE									1	
-6	5626015-9	PAD-TANK MOUNT									2	
-7	5626015-10	PAD-TANK MOUNT									1	
-8	S1431-4-1.50	HOSE-DRAIN BK1									1	
-9	AN815-4J	UNION									1	
-10	MS28778-4	O-RING PACKING									1	
-11	5600118-29	LINE ASSY-TANK TO PUMP									1	
-12	MS20822-4J	ELBOW									2	
-13	47611	PUMP									1	ECM
-14	AN3-4A	ATTACHING PARTS									2	
-15	AK960-10L	BOLT									2	
		WASHER									2	
-16	5600118-30	LINE ASSY-PUMP TO ELBOW									1	
-17	AN833-4J	ELBOW									1	
-18	AN960-716L	WASHER									1	
-19	AN924-4	NUT									1	
-20	5600118-31	LINE ASSY									1	
-21	AN743-13	BRACKET-MOUNT									1	
-22	MS21919WDF4	CLAMP									1	
		ATTACHING PARTS									1	
	MS27039-0806	SCREW									1	
	MS21083-N08	NUT									1	
-23	AN821-4J	ELBOW									1	
-24	0800400-181	LINE ASSY									1	
-25	MS21919WDF4	CLAMP									1	
		ATTACHING PARTS									1	
	MS27039-0806	SCREW									1	
-26	MS21069L08	NUTPLATE									1	
-27	AN833-4J	ELBOW									1	
-28	AN924-4	NUT									1	
-29	0800400-182	LINE ASSY									1	
-30	MS35489-7	GRCMMET									1	
-31	AN815-4J	UNION									1	
-32	0800400-183	LINE ASSY									1	
-33	5626015-16	TEE ASSY									1	
-34	5626015-18	TEE ASSY									1	
-35	0800400-184	LINE ASSY									2	
-36	MS35489-6	GRCMMET									2	
	AN742F4	CLAMP									2	
		ATTACHING PARTS									1	
	MS27039-0807	SCREW									1	
	MS21083N08	NUT									1	
-37	5626015-15	CLAMP									2	
-38	0800400-186	LINE ASSY									1	

A---310Q0401 & ON
B---310Q0401 THRU 310Q0794
C---310Q0795 & ON

B
C

Section II
Group Assembly Parts List

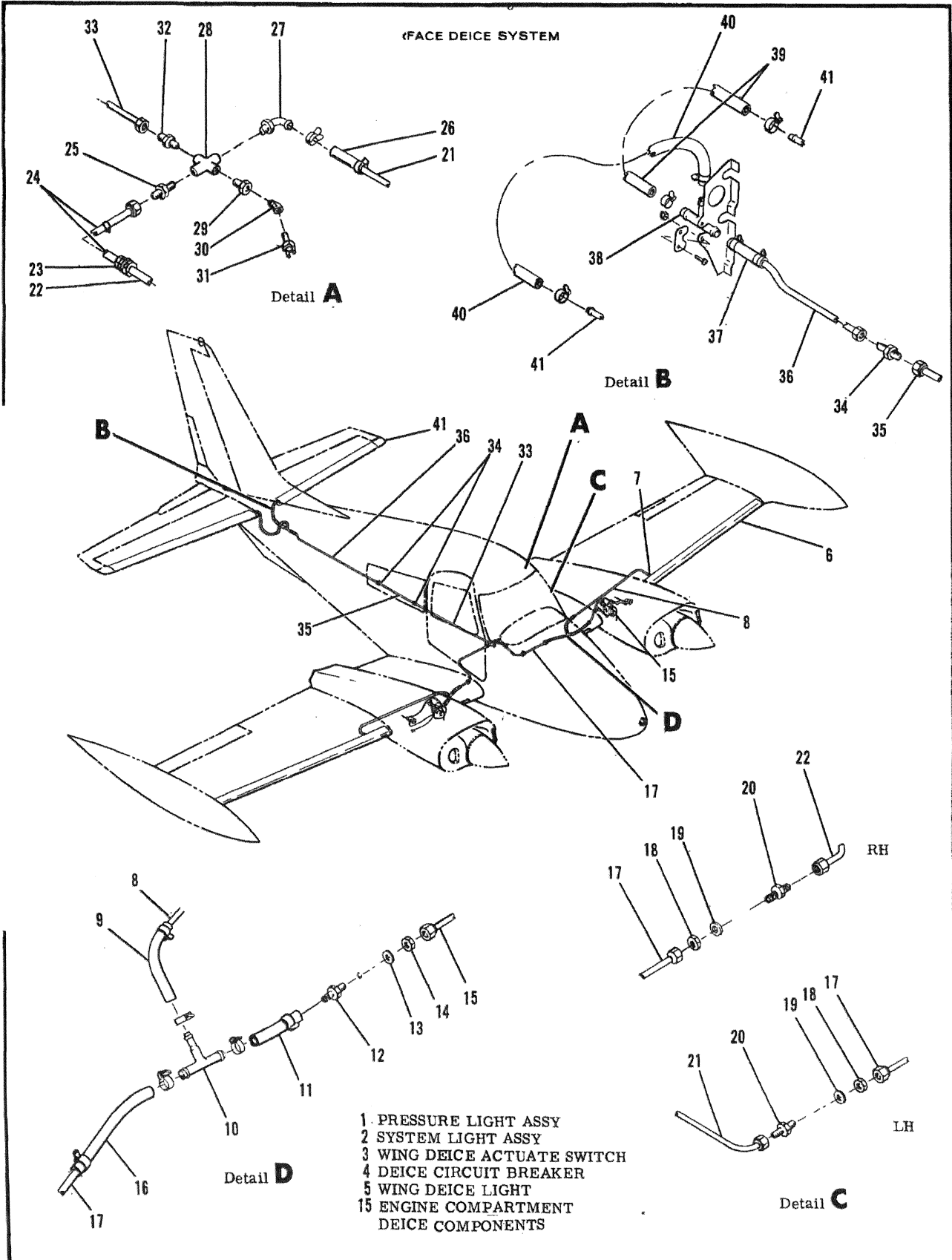


Figure 178. Surface Deice System - Turbo System

Section II
Group Assembly Parts List

FIGURE AND INDEX NO.	PART NUMBER	DESCRIPTION							UNITS PER ASSY	USABLE ON CODE
		1	2	3	4	5	6	7		
178 -		SURFACE DEICE SYSTEM TURBO SYSTEM							NP	
-1	SEE FIG 87	• LIGHT ASSEMBLY-PRESSURE							REF	
-2	SEE FIG 183	• LIGHT ASSEMBLY-SYSTEM							REF	
-3	SEE FIG 87	• SWITCH-DEICE ACTUATE								
	NAS397-10	• ATTACHING PARTS							2	
		• CLAMP								
-4	SEE FIG 183	• CIRCUIT BREAKER-DEICE							REF	
-5	SEE FIG 187	• LIGHT-WING DEICE							REF	
	NAS397-12	• ATTACHING PARTS							2	
		• CLAMP								
-6	0820517-9	• BOOT-WING DEICE LH							1	
	11A20215-101	• BOOT-WING DEICE LH ALT FOR 0820517-9							GY	
	0820517-10	• BOOT-WING DEICE RH							1	
	11A20215-2C2	• BOOT-WING DEICE RH ALT FOR 0820517-10							GY	
-7	0820517-16	• HOSE							1	
	NAS397-10	• ATTACHING PARTS							2	
		• CLAMP								
-8	0826018-82	• LINE ASSEMBLY							2	
-9	S51-6	• HOSE-BKI							AR	
	NAS397-12	• ATTACHING PARTS							AR	
		• CLAMP								
-10	C870126-10	• TEE ASSEMBLY							2	
-11	S51-8	• HOSE-BKI							AR	
	NAS397-14	• ATTACHING PARTS							AR	
		• CLAMP								
-12	AN807-8C	• ADAPTOR							2	
	1K12-8-8	• ADAPTOR ALT FOR AN 807-8C							ABNE	
	NAS397-14	• ATTACHING PARTS							2	
		• CLAMP								
-13	AN560PD1216L	• WASHER							2	
-14	AN524-8	• NUT							2	
	AN560PD1216L	• WASHER							2	
	AN924-8D	• NUT							2	
-15	SEE FIG 180	• ENGINE COMPARTMENT DEICE COMPONENTS							1	
-16	S51-8	• HOSE-BKI							AR	
	NAS397-14	• ATTACHING PARTS							AR	
		• CLAMP								
	S102178-12	• SCREW							2	
	NAS43-2-13	• SPACER							2	
	NAS446-4-3	• NUT							2	
-17	0826018-145	• LINE ASSEMBLY-LH							1	
-18	0826018-188	• LINE ASSEMBLY-RH							1	
-19	AN924-8D	• NUT							2	
-20	AN560PD1216L	• WASHER							2	
	AN632-8D	• UNION							2	
	NAS397-14	• ATTACHING PARTS							2	
		• CLAMP								
-21	0826018-144	• LINE ASSEMBLY-LH							1	
-22	0826018-154	• LINE ASSEMBLY-RH							1	
-23	AN615-8D	• UNION							1	
-24	0826018-142	• LINE ASSEMBLY-RH							1	
	#S21919WDG8	• ATTACHING PARTS							2	
	S102178-12	• CLAMP							2	
	NAS43-2-13	• SCREW							2	
	NAS446-4-3	• SPACER							2	
		• NUT							2	
-25	AN616-8D	• NIPPLE							1	
-26	S51-8	• HOSE-BKI							AR	
	NAS397-14	• ATTACHING PARTS							AR	
		• CLAMP								
-27	1K1-6-8	• ELBOW							1	
-28	AN518-3D	• CROSS							ABNE	
-29	AN512-3D	• BUSHING							1	
-30	AN515-1D	• ELBOW							1	
-31	IC1194	• SWITCH-PRESSURE							GD	
-32	AN616-6-6D	• NIPPLE							1	
-33	C826018-143	• LINE ASSEMBLY							1	

CONTINUED

Section II
Group Assembly Parts List

FIGURE AND INDEX NO.	PART NUMBER	DESCRIPTION							UNITS PER ASSY	USABLE ON CODE
		1	2	3	4	5	6	7		
178 -34 -35 -36	AN815-6D	2	
	08C0400-28	1	
	0800400-29	1	
	MS21919DG6	3	
	S1021210-8	3	
	NAS446-5-3	3	
		----	*	----						
-37	G820517-15	1	
	NAS397-10	2	
		----	*	----						
-38	0820529-1	1	
	0820525-1	1	
	MS335207-261	2	
	MS21044N3	2		
		----	*	----						
-39	0820517-14	1	
	NAS397-10	2	
		----	*	----						
-40	G820517-13	1	
	NAS397-10	2	
	MS21919DG10	1	
	S102128-8	1	
	NAS446-4-2	1		
		----	*	----						
-41	0820517-11	2	
	11A20214-001	2	
		GY	

Section II
Group Assembly Ports List

SURFACE DEICE SYSTEM

- 1 OIL SEPARATOR
- 2 VACUUM SYSTEM
- 3 VACUUM PUMP

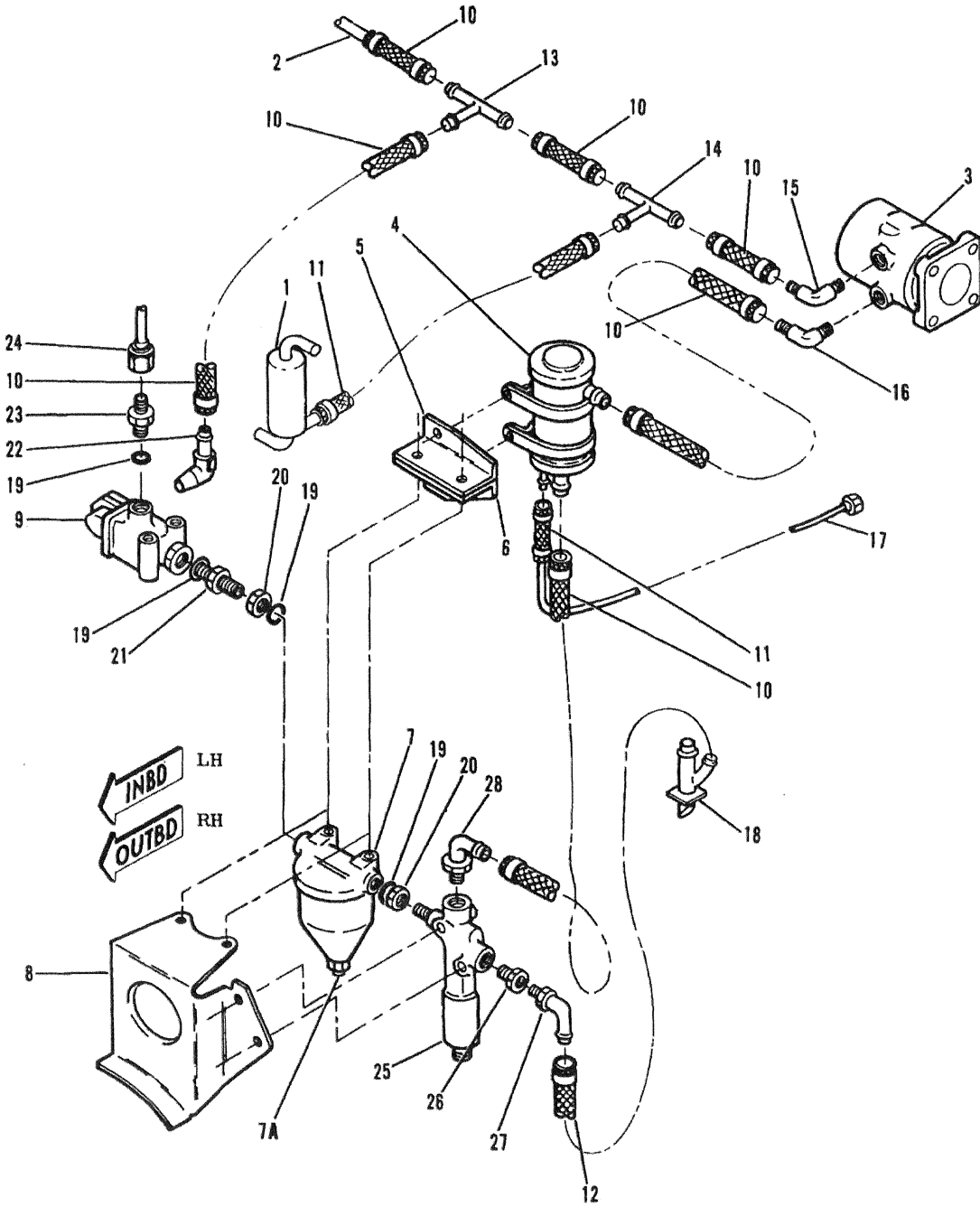


Figure 179. Engine Compartment Deice Components

Section II
Group Assembly Parts List

FIGURE AND INDEX NO.	PART NUMBER	DESCRIPTION							UNITS PER ASSY	USABLE ON CODE
		1	2	3	4	5	6	7		
179		ENGINE COMPARTMENT DEICE COMPONENTS								
-1	SEE FIG 126	OIL SEPARATOR							NP	
-2	SEE FIG 174	VACUUM SYSTEM							REF	
-3	SEE FIG 126	PUMP-VACUUM							REF	
-4	0870128-1	SEPARATOR-DEICE SYSTEM OIL							2	
		ATTACHING PARTS								
	AN742048	CLAMP							2	
	MS35206-245	SCREW							2	
	AN96008	WASHER							2	
	MS21044N08	NUT							2	
-5	0870158-7	BRACKET-UPR LH							1	
	0870158-3	BRACKET UP2 RH							1	
-6	0870158-8	BRACKET-LWR LH							1	
	0870158-5	BRACKET LWR RH							1	
-7	301541	FILTER-DEICE SYSTEM							GD	
	H9W1545	FILTER-DEICE SYSTEM ALT FOR 301541							AMA	
		ATTACHING PARTS								
	AN502-416-10	SCREW							2	
	AN960-416L	WASHER							2	
-7A	42NKE054	NUT							ENTO	
	38004	WASHER							ENTO	
-8	0870171-5	SUPPORT-FILLER LH							1	
	0870171-6	SUPPORT-FILLER RH							1	
		ATTACHING PARTS								
	MS27039-1-07	SCREW							2	
	AN960-10L	WASHER							2	
	MS21044N3	NUT							2	
-9	301549-02A2	VALVE-DEICE SHUTTLE							GD	
-10	S51-10	HOSE BKI							AR	
		ATTACHING PARTS								
	NAS397-16	CLAMP							AR	
-11	S51-4	HOSE BKI							AR	
		ATTACHING PARTS								
	NAS397-10	CLAMP							AR	
-12	S51-8	HOSE BKI FSD S51-10							AR	A
	S51-10	HOSE BKI							AR	B
		ATTACHING PARTS								
	NAS397-14	CLAMP							AR	A
	NAS397-16	CLAMP							AR	B
-13	0870126-3	TEE ASSY							2	
-14	0870067-31	TEE ASSY							2	
-15	1K1-8-10	ELBOW							ABNE	
-16	1K9-8-10	ELBOW							ABNE	
-17	0800400-95	LINE ASSY-LH TO CRANKCASE							2	
	0800400-53	LINE ASSY-RH TO CRANKCASE							1	
-18	0870067-38	VENT ASSY-OVERBOARD							2	A
	0851184-3	VENT ASSY-OVERBOARD							2	B
		ATTACHING PARTS								
	NAS434-140	CLAMP							2	A
-19	MS28778-10	O-RING-PACKING							10	
-20	AN924-100	NUT							4	
-21	AN832-100	UNION							2	
-22	AN844-100	ELBOW							2	
-23	AN919-150	REDUCER							2	
	AN833-8D	ELBOW							2	
-24	0800400-145	LINE ASSY-LH & RH VALVE TO SYSTEM							1	
-25	301542-03	VALVE-CONTROL							GD	
		ATTACHING PARTS								
	AN3-17A	BOLT							2	
	AN960-10L	WASHER							2	
	MS21044N3	NUT							2	
-26	AN912-4	REDUCER							2	
-27	1K1-6-8	ELBOW							ABNE	
	1K1-8-10	ELBOW							ABNE	
-28	1K1-8-10	ELBOW							ABNE	A

A---310P0001 THRU 310P0124
B---310P0125 & ON

Section II
Group Assembly Parts List

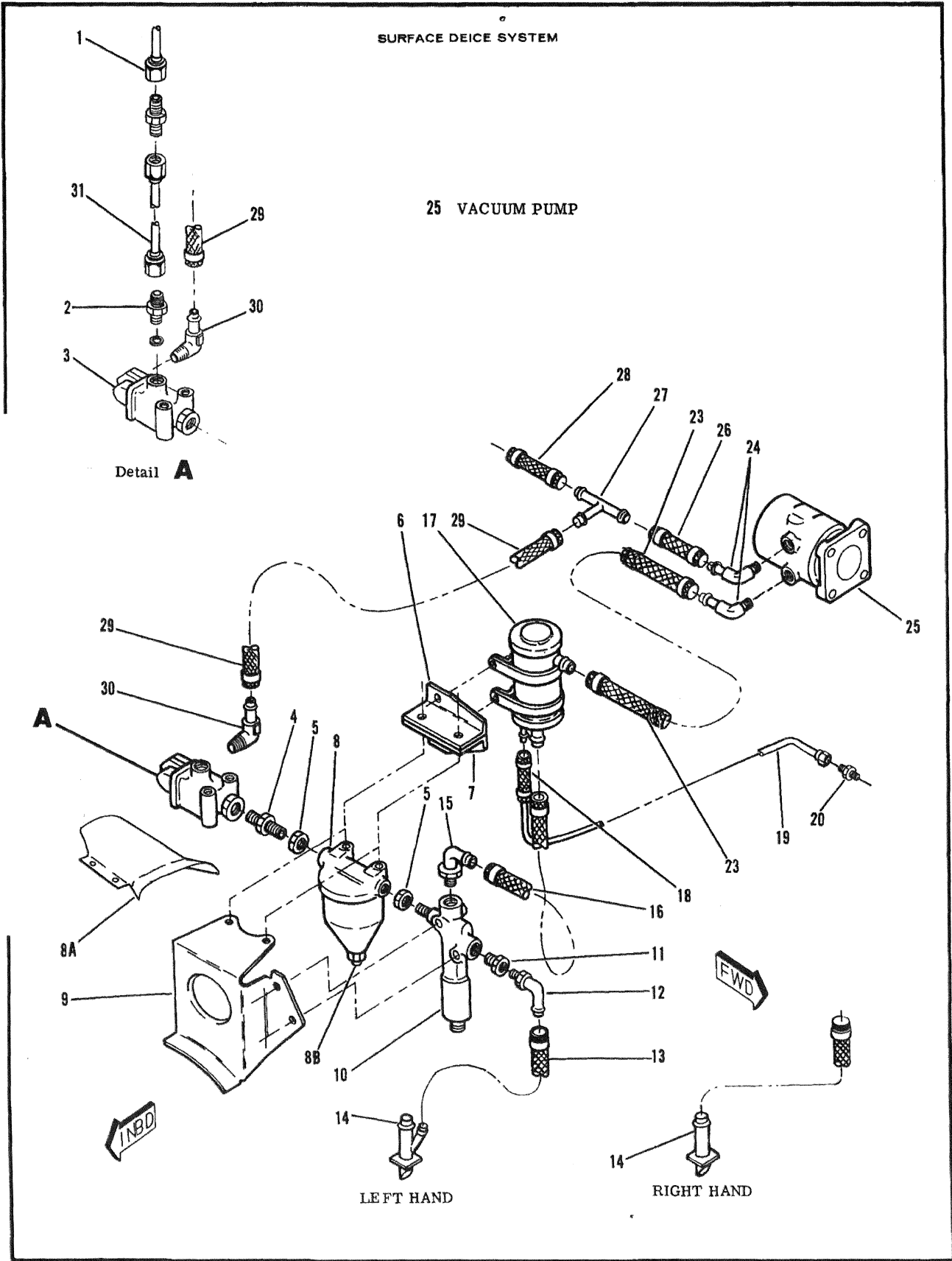


Figure 180. Engine Compartment Deice Components - Turbo System

Section II
Group Assembly Parts List

FIGURE AND INDEX NO.	PART NUMBER	DESCRIPTION	UNITS PER ASSY							USABLE ON CODE	
			1	2	3	4	5	6	7		
180 -		ENGINE COMPARTMENT DEICE COMPONENTS-TURBO SYSTEM								NP	
-1	C800400-141	LINE ASSEMBLY-LH								1	
	0800400-157	LINE ASSEMBLY-RH								1	
-2	AN919-15D	REDUCER								AR	
	MS28778-10	PACKING								1	
-3	3C1549-02A2	VALVE-SHUTTLE								GD	
-4	AN832-10D	UNION								2	
-5	AN924-10D	NUT								2	
-6	0870158-3	BRACKET-SEPERATOR UPPER LH								1	
	0870158-7	BRACKET-SEPERATOR UPPER RH								1	
-7	0870158-5	BRACKET-SEPERATOR LOWER LH								1	
	0870158-8	BRACKET-SEPERATOR LOWER RH								1	
-8	3D1541	FILTER ASSY-DEICE								GD	
	H9W1545	FILTER ASSY-DEICE ALT FOR 3D1541								AMA	
	AN502-416-10	ATTACHING PARTS								2	
	AN960-416L	SCREW								2	
		WASHER								2	
-8A	C851185-1	SHIELD-INBOARD EXHAUST								2	
	MS27039-0804	ATTACHING PARTS								6	
		SCREW								6	
-8B	42NKE054	NUT								ENTO	
	38004	WASHER								ENTO	
-9	0870171-5	SUPPORT-FILTER LF								1	
	0870171-6	SUPPORT-FILTER RF								1	
		ATTACHING PARTS								1	
	MS27039-1-07	SCREW								2	
	AN960-10L	WASHER								2	
	MS21044N3	NUT								2	
-10	3C1542-03	CONTROL VALVE INSTALLATION								GD	
		VALVE-PRESSURE CONTROL								2	
		ATTACHING PARTS								2	
	AN3-17A	BOLT								1	
	AN960-10L	WASHER								1	
	MS21044N3	NUT								1	
-11	AN912-4	REDUCER								2	
-12	1K1-8-10	ELBOW								AR	
-13	S51-10	HOSE-LH BKI								AR	
	S51-10	HOSE-RH BKI								AR	
		ATTACHING PARTS								AR	
	NAS397-16	CLAMP								AR	
-14	C851184-3	VENT ASSEMBLY-CVERBOARD LH								1	
	C851183-4	VENT ASSEMBLY-CVERBOARD RH								1	
-15	1K1-8-10	CIL SEPERATOR INSTALLATION								NP	
-16	S51-10	ELBOW								2	
		HOSE BKI								AR	
		ATTACHING PARTS								AR	
	NAS397-16	CLAMP								AR	
-17	C870126-1	SEPERATOR ASSEMBLY-OIL								2	
		ATTACHING PARTS								2	
	AN742D48	CLAMP								2	
	MS35206-245	SCREW								2	
	AN960-8L	WASHER								2	
	MS21044N08	NUT								2	
-18	S51-4	HOSE-BKI								AR	
		ATTACHING PARTS								AR	
	NAS397-10	CLAMP								AR	
-19	5200106-101	LINE ASSEMBLY-LH								1	
	0800400-54	LINE ASSEMBLY-RH								1	
-20	AN616-4	NIPPLE								2	
-21		DELETED NOT USED									
-22		DELETED NOT USED									
-23	S51-10	HOSE-BKI								AR	
		ATTACHING PARTS								AR	
	NAS397-16	CLAMP								AR	
-24	1K1-8-10	VACUUM PUMP INSTALLATION								NP	
-25	SEE FIG 126	ELBOW								4	
-26	S51-10	PUMP-VACUUM								REF	
	S51-10	HOSE-LH BKI								AR	
	S51-10	HOSE-RH BKI								AR	
		ATTACHING PARTS								AR	
	NAS397-16	CLAMP								AR	
-27	C870126-3	TEE ASSEMBLY-VACUUM								2	
-28	S51-10	HOSE-BKI								AR	
		ATTACHING PARTS								AR	
	NAS397-16	CLAMP								AR	
-29	S51-10	HOSE-LH BKI								AR	
	S51-10	HOSE-RH BKI								AR	
		ATTACHING PARTS								AR	
	NAS397-16	CLAMP								AR	
-30	AN842-10D	ELBOW-LH								2	
	AN844-10D	ELBOW-RH								2	
-31	5200106-113	LINE ASSY-LH								1	
	C800400-158	LINE ASSY-RH								1	