

Section II
Group Assembly Parts List

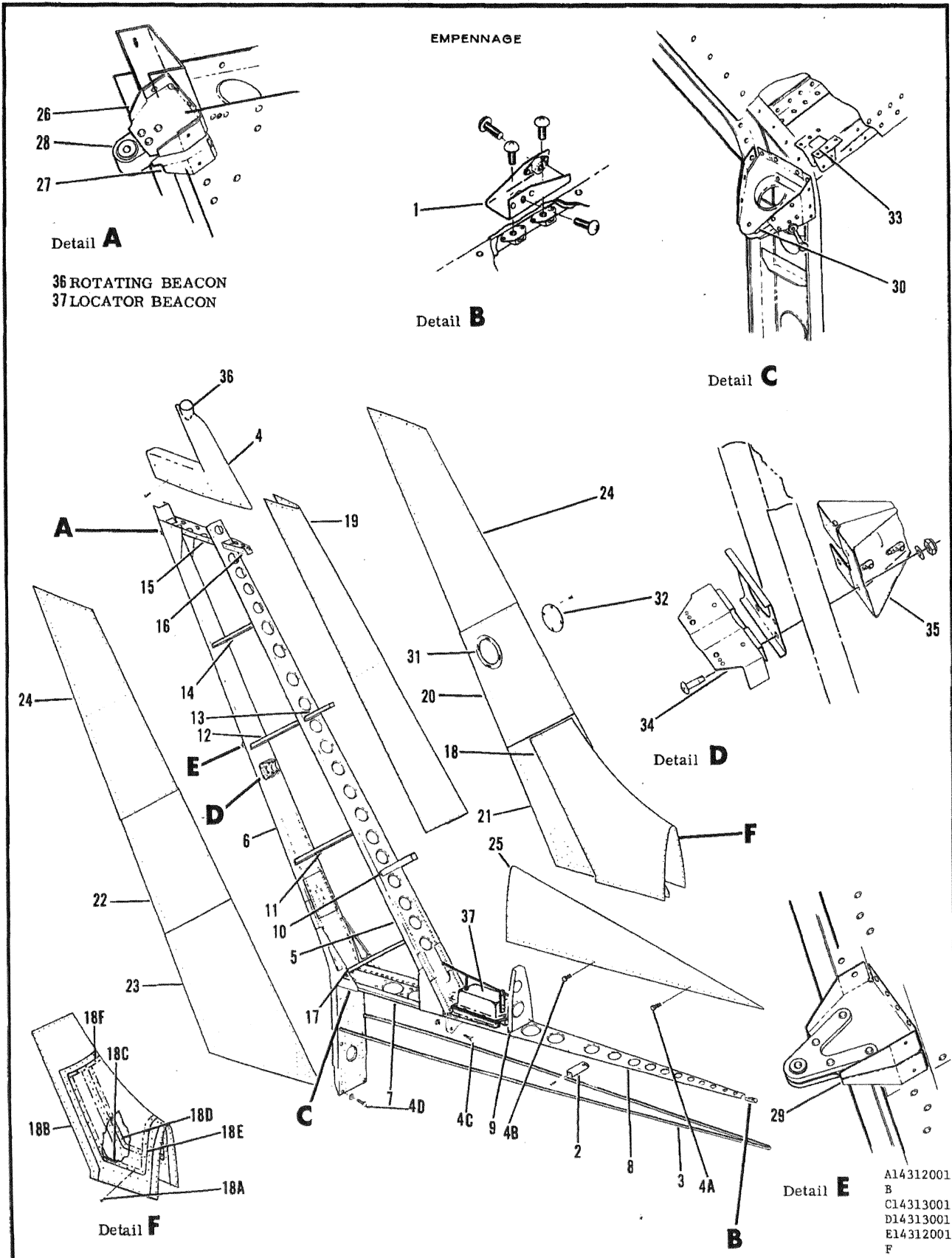


Figure 59. Vertical Stabilizer and Dorsal Structure Installation

Section II
Group Assembly Parts List

FIGURE AND INDEX NO.	PART NUMBER	DESCRIPTION	UNITS PER ASSY	USABLE ON CODE
59 -1	0831322-1	VERTICAL STABILIZER AND DORSAL STRUCTURE INSTALLATION	ND	
	MS35206-244	CHANNEL ASSY-DORSAL	1	
		ATTACHING PARTS		
		SCREW	2	
-2	0831323-1	BRACKET ASSY	2	
-3	S202RB	MOULDING BKI	AR	
-4	0831337-1	TIP ASSY-FIN WITHOUT ROTATING BEACON	1	E
	0831360-1	TIP ASSY-FIN USED WITH ROTATING BEACON	1	F
	0831116-1	TIP ASSY-FIN USED WHEN ROTATING BEACON IS MOUNTED ON THE RUDDER	1	H
	SEE FIG 198	ANTENNA-COMMUNICATION REPLACES 0831116-1 FIN TIP	1	
	MS35206-230	ATTACHING PARTS		
		SCREW	20	
	0831002-208	FIN & DORSAL ASSY	1	
		ATTACHING PARTS		
-4A	AN515-8R6	SCREW DORSAL ATTACH	2	
-4B	AN520-10R8	SCREW DORSAL ATTACH	2	
-4C	NAS464P6LA11	BOLT FIN FRONT SPAR ATTACH	2	
	MS21042L6	NUT FIN FRONT SPAR ATTACH	2	
-4D	NAS464P6LA5	BOLT FIN REAR SPAR ATTACH	6	
	AN960-416	WASHER FIN REAR SPAR ATTACH	6	
	0813289-1	SPACER FIN REAR SPAR ATTACH	AR	
		ATTACHING PARTS		
-5	0831300-1	SPAR ASSY-FIN FRONT	1	
-6	0831301-14	SPAR ASSY-FIN REAR	1	
-7	0831303-1	RIB ASSY-FIN ROOT	1	
-8	0831303-3	RIB-DORSAL	1	
-9	0831304-1	RIB-DORSAL NOSE	1	
-10	0831305-1	RIB-FIN NOSE	1	
-11	0831306-1	RIB-FIN LWR	1	
-12	0831307-1	RIB-FIN CTR	1	
-13	0831307-2	RIB-FIN NOSE	1	
-14	0831308-1	RIB-FIN CTR	1	
-15	0831329-1	RIB ASSY-FIN TIP	1	
-16	0831329-2	RIB ASSY-FIN TIP	1	
-17	0831333-3	RIB	1	
-18	0831002-6	FAIRING DORSAL	1	
	0831006-2	FAIRING-DORSAL USED WITH LOCATOR BEACON	1	G
		ATTACHING PARTS		
-18A	MS27039-1-05	SCREW USED WITH LOCATOR BEACON	42	G
-18B	0831006-3	FAIRING USED WITH LOCATOR BEACON	1	G
-18C	0831006-4	DOUBLER USED WITH LOCATOR BEACON	2	G
-18D	0831006-5	DOUBLER USED WITH LOCATOR BEACON	2	G
-18E	0831006-6	DOUBLER USED WITH LOCATOR BEACON	1	G
-18F	0831006-7	DOUBLER USED WITH LOCATOR BEACON	1	G
-19	0831002-7	SKIN-LEADING EDGE	1	
-20	5031000-15	SKIN-CTR LH FIN	1	
-21	5031000-21	SKIN-LWR LH FIN	1	
-22	5031000-16	SKIN-CTR RH FIN	1	
-23	5031000-18	SKIN-LWR RH FIN	1	
-24	0831002-10	SKIN-UPR FIN	2	
-25	0831002-16	SKIN-DORSAL	1	
-26	0831350-1	BRACKET-FIN UPR HINGE	1	
-27	0831350-2	BRACKET-FIN UPR HINGE	1	
-28	0822000-147	BEARING ASSY-FIN UPR HINGE	1	
	MS24462-4	BEARING	1	
-29	0831106-4	HINGE ASSY-FIN CTR	1	
	MS24462-4	BEARING	1	
-30	0831326-16	HINGE ASSY-FIN LWR FSD 0831326-18	1	A
	0831326-18	HINGE ASSY-FIN LWR	1	B
	NAS428H4-11	BOLT-STOP	2	
	CM2023-2	NUT-SELF ALIGNING	2	
	CM2024-2	WASHER-SELF ALIGNING	2	
	AN960-416L	WASHER	2	
	0831326-17	BRACKET-HINGE LWR	1	
-31	0822380-20	DOUBLER ASSY-ACCESS OPENING	1	
-32	0822380-26	PLATE-ACCESS	1	
		ATTACHING PARTS		
	MS24693S272	SCREW	4	
-33	0831364-1	BRACKET-PULLEY LH	1	
	0831364-2	BRACKET-PULLEY RH	1	
-34	0831346-1	BRACKET ASSY-TAB ACTUATOR AFT FSD 0813346-3	1	C
	0831346-3	BRACKET ASSY-TAB ACTUATOR AFT	1	D
-35	0831341-1	BRACKET ASSY-TAB ACTUATOR FWD	1	
		ATTACHING PARTS		
	MS35207-263	SCREW	4	
	AN960-10L	WASHER	4	
	MS21044N3	NUT	4	
		ATTACHING PARTS		
-36	SEE FIG 188	ROTATING BEACON	REF	
-37	SEE FIG 201	LOCATOR BEACON INSTL	REF	G

A---310P0001 THRU 310P0047
 B---310P0048 E ON
 C---310P0001 THRU 310P0149
 D---310P0150 E ON
 E---310P0001 TO 310Q0001
 F---310Q0001 E ON
 G---310Q0201 E ON
 H---310Q0401 E ON

Section II
Group Assembly Parts List

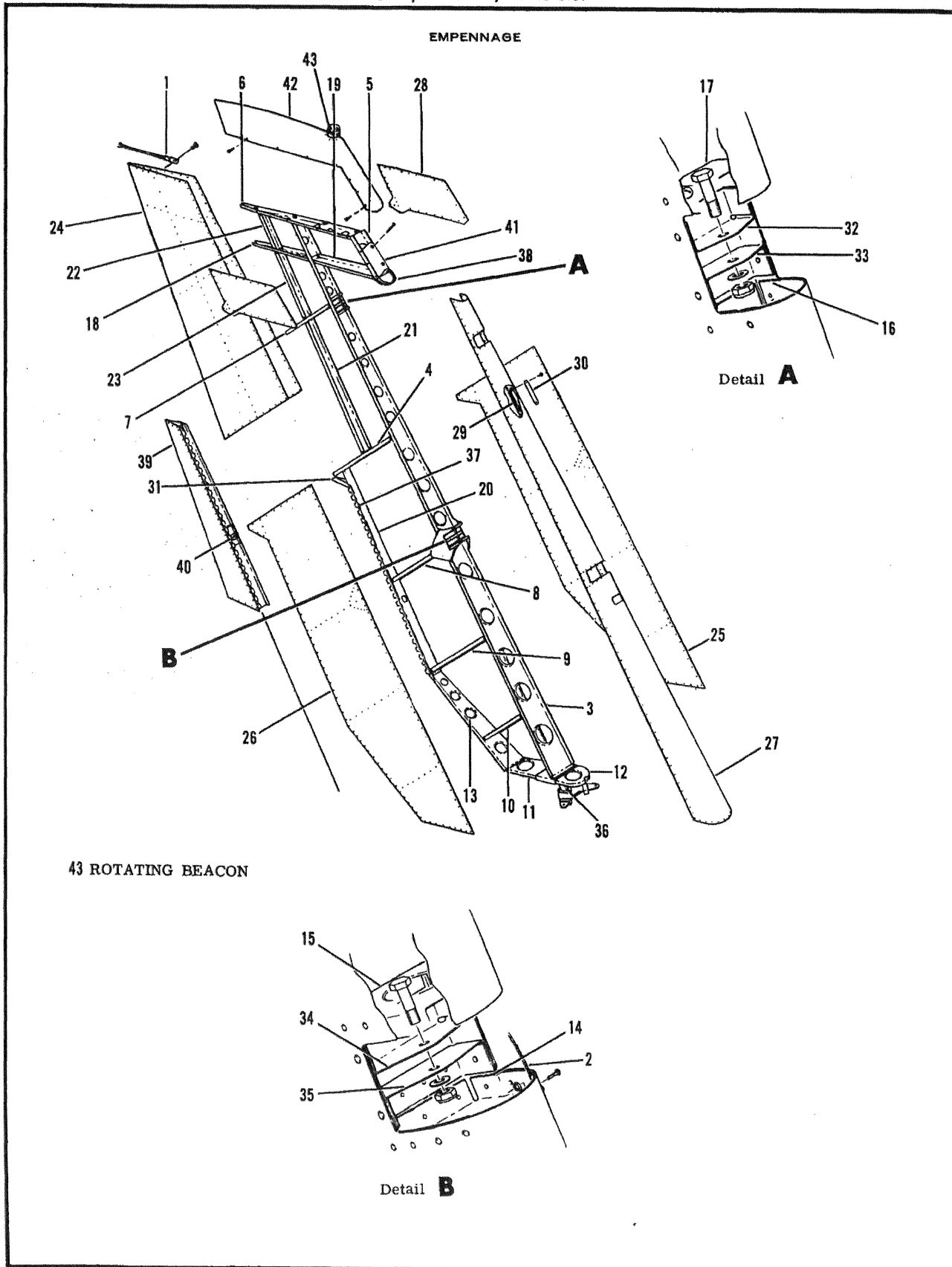


Figure 60. Rudder Structure Installation

Section II
Group Assembly Parts List

FIGURE AND INDEX NO.	PART NUMBER	DESCRIPTION	1 2 3 4 5 6 7							UNITS PER ASSY	USABLE ON CODE	
60 -1	2-6	RUDDER STRUCTURE INSTALLATION										
		WICK-DISCHARGE										CC10
	A8K75	ATTACHING PARTS										GD
	MS35206-246	RIVNUT										2
		SCREW										2
-2	0831005-1	STRAP-BONDING ATTACHING PARTS										2
	MS35206-230	SCREW										2
	MS21044N06	NUT										2
	0831002-202	RUDDER ASSY-SWEPT TAIL										1
	0831002-50	RUDDER & TAB ASSY										1
		ATTACHING PARTS										
	AN4-11A	BDLT										2
	AN960-416	WASHER										AR
	AN960-416L	WASHER										2
	MS21044N4	NUT										2
	0831002-203	RUDDER ASSY										1
	0831002-51	RUDDER ASSY										1
-3	0831302-2	SPAR-RUDDER										1
-4	0831308-2	RIB-RUDDER										1
-5	0831311-1	RIB ASSY-RUDDER TIP										1
-6	0831312-1	RIB ASSY-RUDDER										1
-7	0831313-1	RIB-RUDDER UPR HINGE										1
-8	0831314-1	RIB-RUDDER CTR										1
-9	0831315-1	RIB ASSY-RUDDER LWR										1
-10	0831316-1	RIB-RUDDER LWR										1
-11	0831317-1	RIB-RUDDER BOTTOM										1
-12	0831317-2	RIB-RUDDER BOTTOM										1
-13	0831318-1	RIB-RUDDER DIAGONAL										1
-14	0831328-1	RIB-CENTER HINGE NOSE										1
-15	0831328-2	RIB-CENTER HINGE NOSE										1
-16	0831328-3	RIB-UPR HINGE NOSE										1
-17	0831357-1	RIB-UPR HINGE TOP										1
		ATTACHING PARTS										
	MS35206-226	SCREW										2
-18	0831345-1	RIB-RUDDER										1
-19	0831345-2	RIB-RUDDER										1
-20	0831319-1	CHANNEL-RUDDER TAB SUPPORT										1
-21	0831321-1	CHANNEL-RUDDER STIFFENER										1
-22	0831338-1	CHANNEL-RUDDER STIFFENER UPPER										1
-23	0831342-1	CHANNEL-RUDDER STIFFENER CENTER										1
-24	0831002-11	SKIN-RUDDER										1
-25	0831002-13	SKIN-LWR RUDDER LH										1
-26	0831002-18	SKIN-LWR RUDDER RH										1
-27	0831002-14	SKIN-RUDDER NOSE										1
-28	0831002-15	SKIN										2
-29	0831000-22	DOUBLER-RUDDER ACCESS OPENING										2
-30	0831000-86	PLATE-ACCESS OPENING										2
		ATTACHING PARTS										
	S102226-6	SCREW										2
-31	0831327-1	BLOCK-FILLER										1
-32	0831351-1	HINGE HALF-RUDDER UPR										1
-33	0831351-2	HINGE HALF-RUDDER UPR										1
-34	0831351-1	HINGE BRACKET-RUDDER CTR										1
-35	0831351-2	HINGE BRACKET-RUDDER CTR										1
	0831352-1	DOUBLER-RUDDER CTR HINGE LH										1
	0831352-2	DOUBLER-RUDDER CTR HINGE RH										1
-36	0831359-1	TORQUE TUBE ASSY										1
	0831359-9	TORQUE TUBE ASSY										1
-37	AN257Y3-2480	HINGE HALF-RUDDER TRIM										1
-38	0831361-1	RIB ASSY										1
-39	0831002-5	TRIM TAB ASSY-RUDDER										1
		ATTACHING PARTS										
	MS20253-2-245C	HINGE PIN										1
	MS24665-132	PIN										2
-40	0832143-5	HORN ASSY-TAB										1
	S1003-9A	BEARING										1
-41	0831335-1	WEIGHT-RUDDER BALANCE										1
	0831335-3	WEIGHT-RUDDER BALANCE										1
		WITHOUT ROTATING BEACON										
		USED WITH ROTATING BEACON										
		ATTACHING PARTS										
	MS27039-4-44	SCREW										2
-42	0831336-1	TIP ASSY-RUDDER										1
	0831018-4	TIP ASSY-RUDDER										1
		WITHOUT ROTATING BEACON										
		USED WITH ROTATING BEACON										
		ATTACHING PARTS										
	MS35206-226	SCREW										2
	MS35206-228	SCREW										14
-43	0831019-1	PLACARD-RUDDER BALANCE										1
	SEE FIG 188	ROTATING BEACON										REF

A---310Q0001 & ON
B---310P0001 THRU 310Q0736
C---310Q0737 & ON

Section II.
Group Assembly Parts List

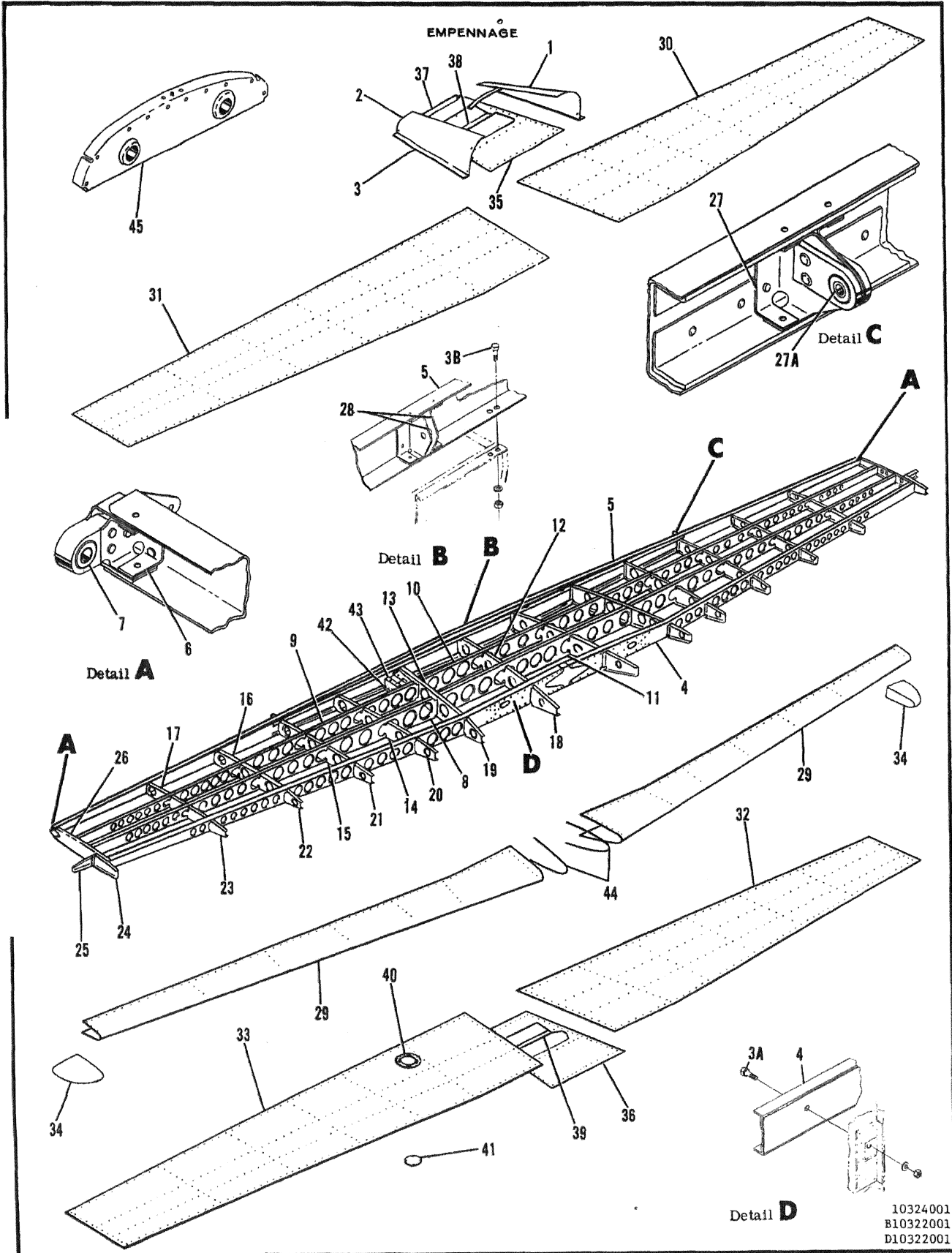


Figure 61. Horizontal Stabilizer Structure Installation

10324001
B10322001
D10322001

Section II
Group Assembly Parts List

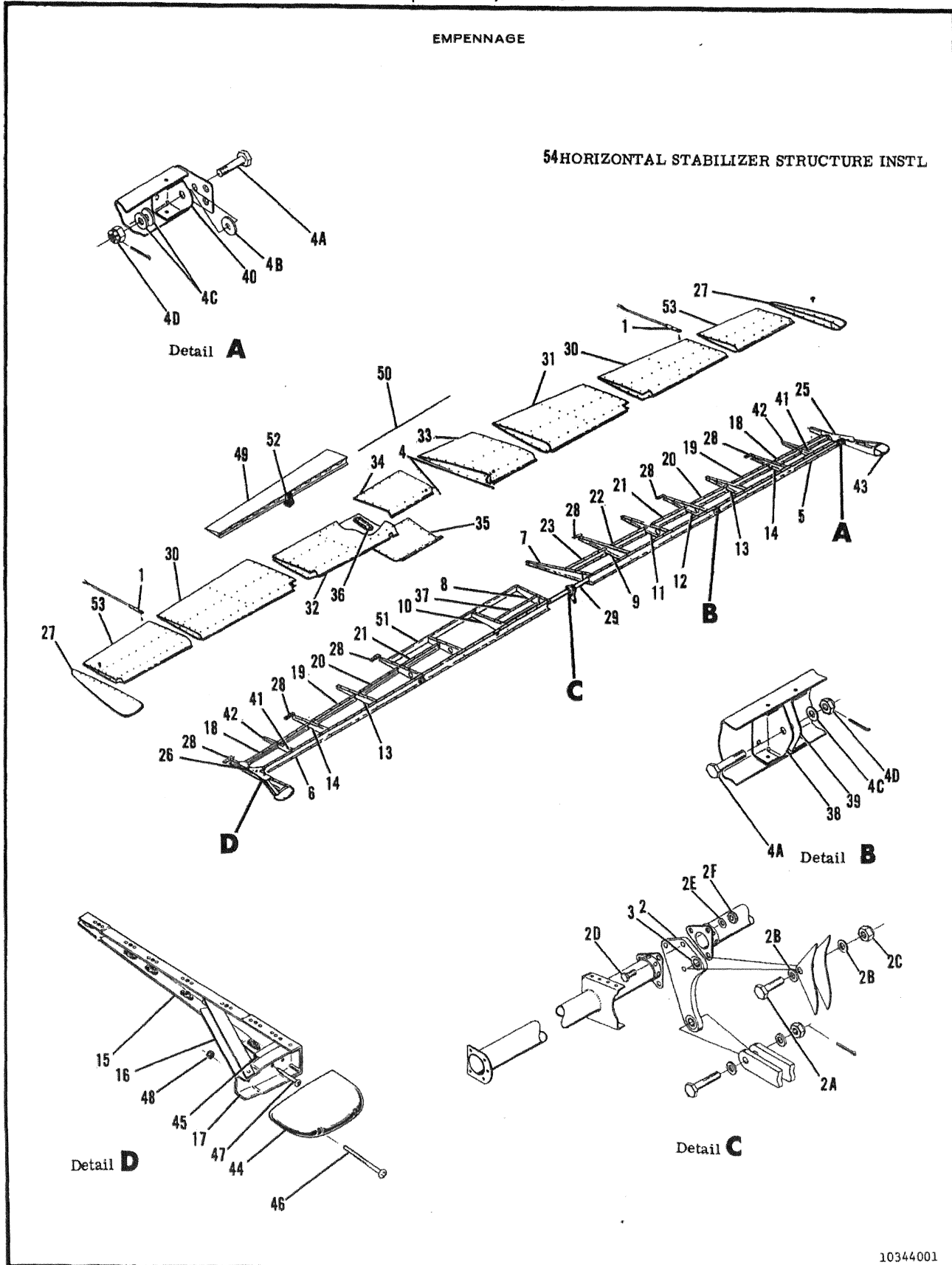
FIGURE AND INDEX NO.	PART NUMBER	DESCRIPTION	1 2 3 4 5 6 7							UNITS PER ASSY	USABLE ON CODE		
			1	2	3	4	5	6	7				
61 -		HORIZONTAL STABILIZER STRUCTURE INSTALLATION											
-1	0814100-81	FAIRING ASSY-STABILIZER LH										NP	
-2	0814100-82	FAIRING ASSY-STABILIZER RH										1	
	MS35206-245	ATTACHING PARTS										AR	
		SCREW											
-3	S202RB	MOULDING BKT										AR	
	0893002-7	STABILIZER ASSY										1	
		ATTACHING PARTS											
-3A	AN6-6A	BOLT FRONT SPAR										2	
	AN960-616L	WASHER FRONT SPAR										2	
	MS20365-624C	NUT FRONT SPAR										2	
-3B	AN5-6A	BOLT REAR SPAR										4	
	AN960-616	WASHER REAR SPAR										4	
	MS20365-524C	NUT REAR SPAR										4	
-4	5032001-6	SPAR ASSY-STABILIZER FRONT FSO 5032001-10										1	D
	5032001-10	SPAR ASSY-STABILIZER FRONT										1	E
-5	0832250-2	SPAR ASSY-STABILIZER REAR										1	B
-6	0832000-56	BRACKET ASSY-STABILIZER HALF OUTBOARD HINGE FSO 5132015-5										2	C
	5132015-5	HINGE ASSY											
-7	MS24461-4	BEARING											
-8	0832250-12	SPAR-FWD AUXILIARY											
-9	0832250-13	SPAR-REAR AUXILIARY											
-10	0832250-70	SPAR-REAR CARRY THRU											
-11	0832250-71	SPAR-FWD CARRY THRU											
-12	0832111-1	RIB-STABILIZER											
-13	0832111-2	RIB-STABILIZER											
-14	0832111-3	RIB-STABILIZER											
-15	0832111-4	RIB-STABILIZER											
-16	0832111-5	RIB-STABILIZER											
-17	0832111-6	RIB-STABILIZER											
-18	0832250-25	RIB-STABILIZER NOSE											
-19	0832250-26	RIB-STABILIZER NOSE											
-20	0832250-27	RIB-STABILIZER NOSE											
-21	0832250-28	RIB-STABILIZER NOSE											
-22	0832250-29	RIB-STABILIZER NOSE											
-23	0832250-30	RIB-STABILIZER NOSE											
-24	0832250-66	RIB-STABILIZER NOSE											
-25	0832250-67	RIB-STABILIZER											
-26	0832111-7	RIB ASSY-STABILIZER											
-27	0832000-51	BRACKET ASSY-STABILIZER HALF HINGE											
-27A	MS24461-4	BEARING											
-28	0832000-35	BRACKET-STABILIZER HALF CTR HINGE											
-29	5032000-3	SKIN-STABILIZER LEADING EDGE											
-30	0832000-165	SKIN-STABILIZER UPR LH											
-31	0832000-166	SKIN-STABILIZER UPR RH											
-32	0832000-167	SKIN-STABILIZER LWR LH											
-33	0832000-186	SKIN-STABILIZER LWR-RH											
-34	0832115-1	TIP-STABILIZER											
-35	0832000-193	SKIN ASSY-STABILIZER UPR CTR											
-36	0832000-192	SKIN-STABILIZER LWR CTR											
-37	0832000-197	ANGLE-SUPPORT											
-38	0832000-199	DOUBLER-SKIN UPR											
-39	0832000-198	DOUBLER-SKIN LWR											
-40	0822380-28	DOUBLER ASSY-SKIN LWR RH											
-41	0822380-26	PLATE-ACCESS											
		ATTACHING PARTS											
	MS24693S271	SCREW										4	
-42	0832000-45	ANGLE-TAB ACTUATOR SUPPORT										1	
-43	0832000-40	SUPPORT ASSY-TAB ACTUATOR											
-44	S202RB	MOULDING BKT										AR	
-45	0832000-195	BULKHEAD ASSY-UPR STA 234.0										1	A

A---310Q0401 & ON
 B---310P0001 THRU 310Q0800
 C---310Q0801 & ON
 D---310P0001 THRU 310Q1027
 E---310Q1028 & ON

Section II
Group Assembly Parts List

EMPENNAGE

54 HORIZONTAL STABILIZER STRUCTURE INSTL



10344001

Figure 62. Elevator Structure Installation

Section II
Group Assembly Parts List

FIGURE AND INDEX NO.	PART NUMBER	DESCRIPTION	1 2 3 4 5 6 7							UNITS PER ASSY	USABLE ON CODE	
			1	2	3	4	5	6	7			
62 -		ELEVATOR STRUCTURE INSTALLATION									NP	
-1	2-6	WICK-DISCHARGE									2	
-2	0832000-33	BELLCRANK ASSY-ELEVATOR									1	A
	0832000-303	BELLCRANK ASSY-ELEVATOR									1	B
		ATTACHING PARTS										
-2A	AN4-11	BOLT									1	
-2B	AN960-416	WASHER									1	
-2C	MS17826-4	NUT									1	
	MS24665-134	PIN-COTTER									1	
-2D	AN3-7A	BOLT									1	
-2E	AN960-10L	WASHER									1	
-2F	MS21044N3	NUT									1	
		BEARING										
-3	MS20200KP4	STRAP-BONDING									2	
-4	0831005-1	ATTACHING PARTS									2	
	MS35206-230	SCREW									2	
	MS21044N6	NUT									2	
		ELEVATOR ASSY-LH									1	A
	0893200-1	ELEVATOR ASSY-LH									1	B
	0893200-3	ELEVATOR ASSY-RH									1	B
	0893200-2	ELEVATOR ASSY-RH									1	B
	0893200-4	ATTACHING PARTS										
-4A	AN4-11	BOLT									2	
-4B	AN960-416L	WASHER									2	
-4C	AN960-416	WASHER									2	
-4D	MS17826-4	NUT									2	
	MS24665-134	PIN-COTTER									2	
		SPAR-ELEVATOR FRONT LH										
-5	0832250-15	SPAR-ELEVATOR FRONT RH									1	
-6	0832250-64	RIB-ELEVATOR INBD LH									1	
-7	0832250-34	RIB-ELEVATOR INBD RH									1	
-8	0832130-1	RIB ASSY-ELEVATOR LH									1	
-9	0832250-57	RIB ASSY-ELEVATOR RH									1	
-10	0832131-1	RIB-ELEVATOR LH									1	
-11	0832250-36	RIB-ELEVATOR RH									1	
	0832132-1	RIB-ELEVATOR LH									1	
-12	0832135-17	RIB-ELEVATOR RH									1	
	0832133-1	RIB-ELEVATOR LH									1	
-13	0832250-38	RIB-ELEVATOR RH									1	
-14	0832250-39	RIB-ELEVATOR LH									1	
-15	0832250-4	RIB ASSY-ELEVATOR-TIP									1	
-16	0832250-32	RIB-ELEVATOR TIP CANTED									1	
-17	0832250-33	RIB-ELEVATOR TIP WEIGHT ATTACHMENT									1	
-18	0832000-20	SPAR-ELEVATOR AUX									1	
-19	0832000-21	SPAR-ELEVATOR AUX									1	
-20	0832000-22	SPAR-ELEVATOR AUX									1	
-21	0832000-23	SPAR-ELEVATOR AUX									1	
-22	0832000-24	SPAR-ELEVATOR AUX LH									1	
-23	0832000-25	SPAR-ELEVATOR AUX RH									1	
-24		DELETED NOT USED										
-25	0832000-61	GUSSET-ELEVATOR UPR LH & LWR RH									1	
-26	0832000-62	GUSSET-ELEVATOR UPR RH & LWR LH									1	
-27	0832120-1	TIP ASSY-ELEVATOR									1	
		ATTACHING PARTS										
	MS27039-0806	SCREW									1	
	MS27039-0805	SCREW									1	
		BLOCK-ELEVATOR TRAILING EDGE REINFORCEMENT										
-28	0832000-29	TUBE ASSY-TORQUE									3	A
-29	0832000-30	TUBE ASSY-TORQUE									3	B
	0832000-302	SKIN-ELEVATOR CTR LH									1	
-30	0832000-14	SKIN-ELEVATOR CTR RH									1	
	0832126-1	SKIN-ELEVATOR CTR LH									1	
-31	0832000-15	SKIN-ELEVATOR CTR RH									1	
-32	0832126-5	SKIN-ELEVATOR CTR UPR RH									1	
	0832126-13	SKIN-ELEVATOR CTR LWR RH									1	
-33	0832000-17	SKIN-ELEVATOR INBD LH									1	
-34	0832126-3	SKIN-ELEVATOR INBD UPR RH									1	
-35	0832126-4	SKIN-ELEVATOR INBD LWR LH									1	
-36	0831000-43	COVER-PUSH PULLTUBE									1	
-37	0832106-1	STIFFENER-RH SKIN									1	
-38	0832000-54	BRACKET-CTR ELEVATOR HINGE INBD									1	
-39	0832000-55	BRACKET-CTR ELEVATOR HINGE OUTBD									1	
-40	0832000-63	BRACKET-OUTBD ELEVATOR HINGE									1	
-41	0832144-1	RIB									1	
-42	0832144-2	RIB									1	

CONTINUED

Section II
Group Assembly Parts List

FIGURE AND INDEX NO.	PART NUMBER	DESCRIPTION	UNITS PER ASSY							USABLE ON CODE		
			1	2	3	4	5	6	7			
62 -43	0832125-1	• WEIGHT-ELEVATOR BALANCE LH	1	
-44	0832125-2	• WEIGHT-ELEVATOR BALANCE RH	1	
-45	0832125-3	• WEIGHT-ELEVATOR BALANCE RH	1	
		ATTACHING PARTS		
-46	MS35207-275	• SCREW-RH WEIGHT	1	
	MS35207-275	• SCREW-LH WEIGHT	2	
-47	MS35207-267	• SCREW-RH WEIGHT	1	
	NAS603-56	• SCREW-RH WEIGHT	1	
-48	MS21044N3	• NUT-RH WEIGHT	3	
	MS21044N3	• NUT-LH WEIGHT	2	
	AN960-10	• WASHER-RH WEIGHT	2	
		---		
-49	0832126-12	• TRIM TAB ASSY-ELEVATOR	1	
		ATTACHING PARTS		
-50	MS20253-2-4210	• PIN-HINGE	1	
		---		
-51	0832137-1	• SPAR-TRIM TAB	1	
-52	0831000-50	• HORN ASSY-ELEVATOR	1	
		ATTACHING PARTS		
	0832152-1	• SPACER-TAB BAR	2	
	MS35206-251	• SCREW	2	
	AN515-8R22	• SCREW	2	
	AN960-8L	• WASHER	4	
	MS21044N08	• NUT	4	
	AN257Y3-4250	• HINGE-TAB HALF	1	
		---		
	PN3A	• BEARING	1	
-53	0832000-13	• SKIN-ELEVATOR OUTBD	2	
-54	SEE FIG 61	• BRACKET-HORIZONTAL STABILIZER	REF	
		A---310P0001 THRU 310Q0728										
		B---310Q0729 & ON										