

Section II
Group Assembly Parts List

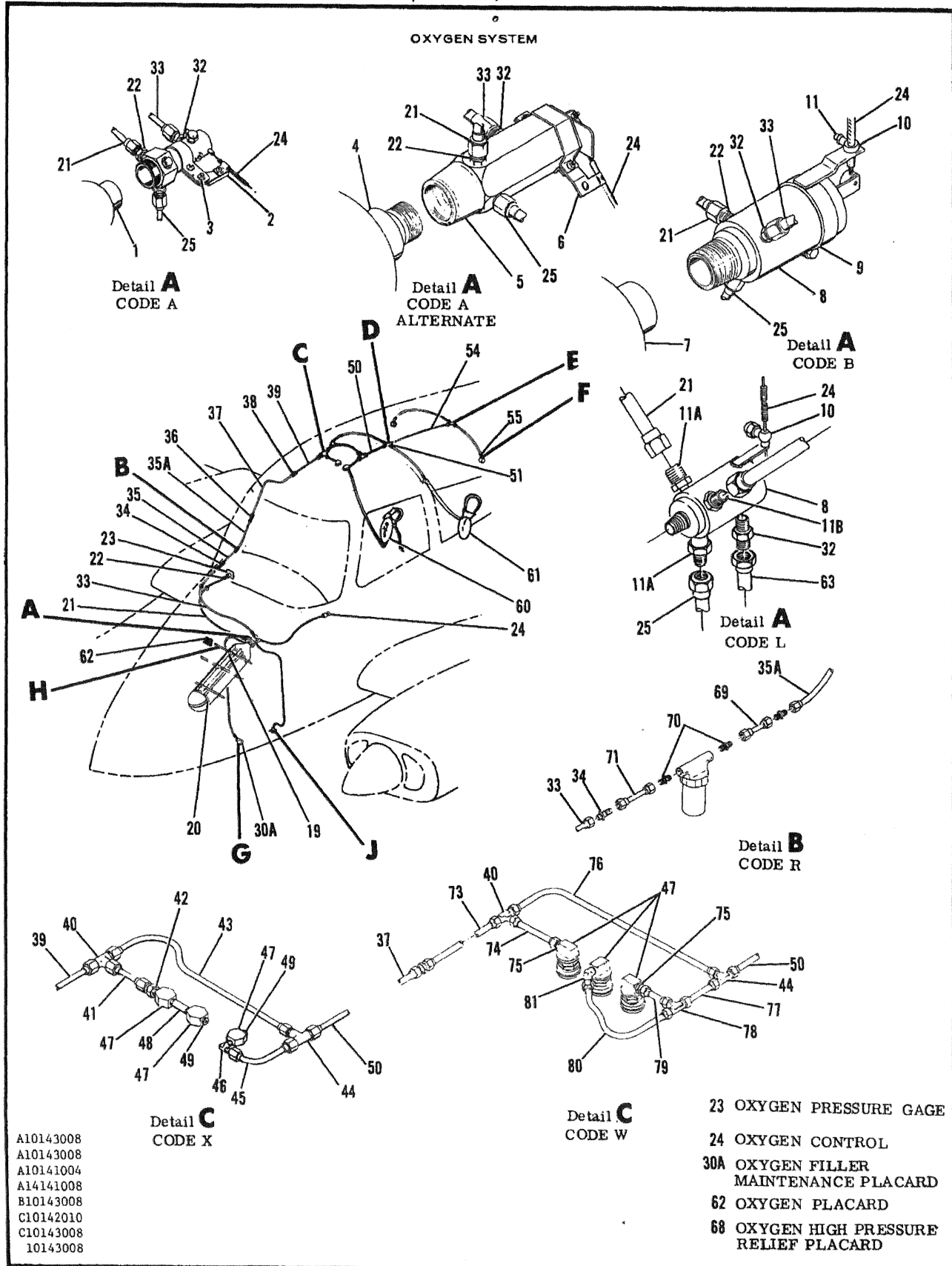


Figure 173. Oxygen System (Sheet 1 of 2)

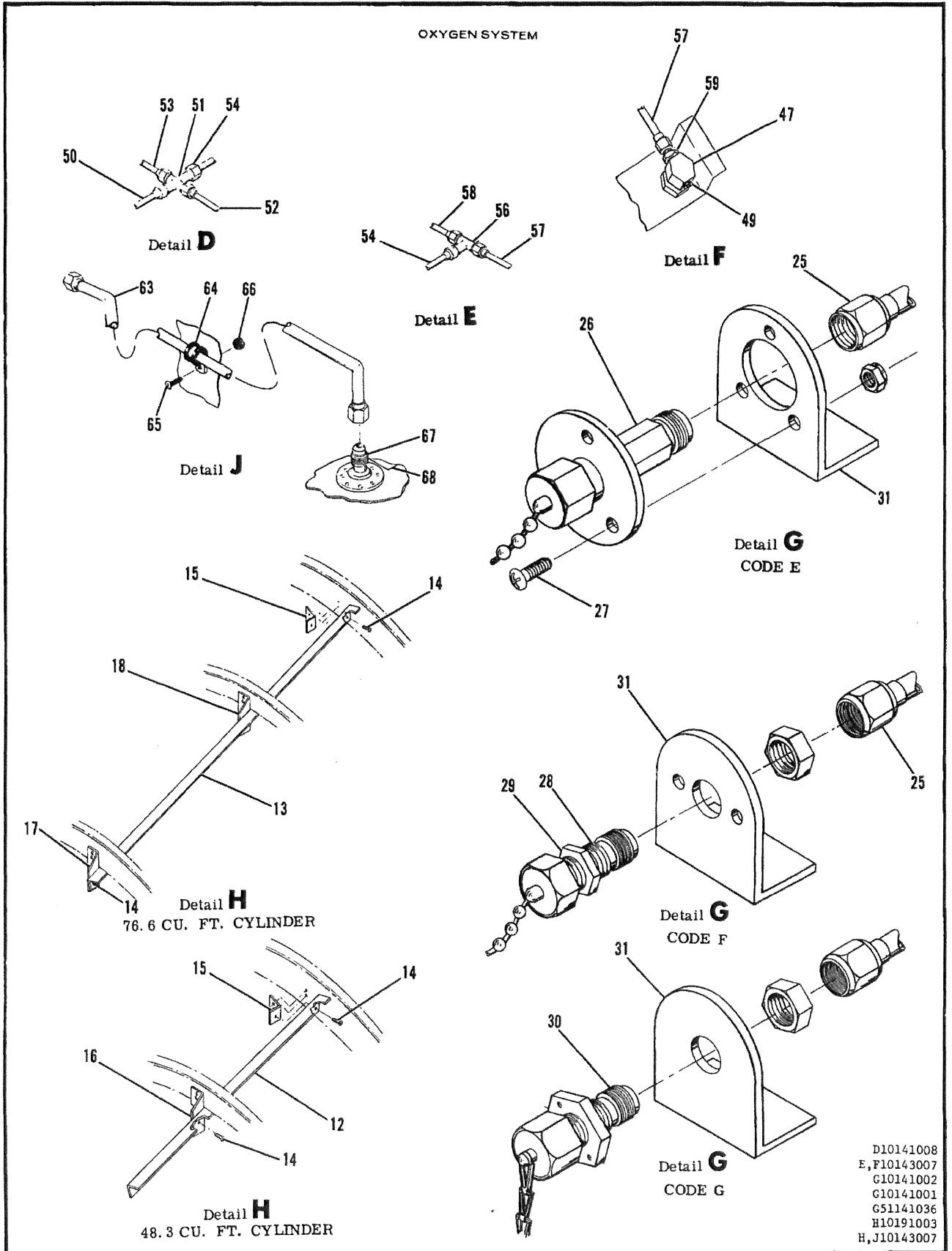


Figure 173. Oxygen System (Sheet 2)

Section II
Group Assembly Parts List

FIGURE AND INDEX NO.	PART NUMBER	DESCRIPTION	UNITS PER ASSY							USABLE ON CODE
			1	2	3	4	5	6	7	
173 -		OXYGEN SYSTEM								
-1	C166001-0104	• CYLINDER & REGULATOR ASSY 48.3 CU FT								NP
	ZC280-48-7	• CYLINDER & REGULATOR ASSY								1
-2	0800125-1	• CLAMP-REGULATOR CONTROL								ZEP
	0800125-2	• CLAMP-REGULATOR CONTROL								1
		ATTACHING PARTS								1
-3	MS35206-245	• SCREW								2
	MS21042L08	• NUT								2
-4	C166001-0402	• CYLINDER & REGULATOR ASSY 48.3 CU FT								1
		ALT FOR C166001-0104								
-5	C166002-0301	• REGULATOR & VALVE ASSY								1
-6	C166002-0312	• BRACKET ASSY								1
-7	C166001-0803	• CYLINDER & REGULATOR ASSY 48.3 CU FT								1
	C166001-0815	• CYLINDER & REGULATOR ASSY 48.3 CU FT								1
	C166001-0804	• CYLINDER & REGULATOR ASSY 76.6 CU FT								1
	C166001-0816	• CYLINDER & REGULATOR ASSY 76.6 CU FT								1
-8	C166001-0811	• REGULATOR ASSY								1
	C166001-0818	• REGULATOR ASSY								1
-9	51-8444AC	• BRACKET-REGULATOR CONTROL CLAMP								ZEP
		ATTACHING PARTS								1
	16-2000C	• BOLT								ZEP
	10-8007C	• LOCKNUT								ZEP
-10	117-8002C	• CLAMP-REGULATOR CONTROL								ZEP
		ATTACHING PARTS								1
-11	16-8500C	• SET SCREW								ZEP
	10-8007C	• LOCKNUT								ZEP
		ATTACHING PARTS								1
-11A	C166013-0101	• VALVE-CHECK								2
-11B	C166011-0101	• VALVE-CHECK								1
-12	C800089-3	• HANGER-CYLINDER SUPPORT LH 48.3 CU FT								L
	0800089-4	• HANGER-CYLINDER SUPPORT RH 48.3 CU FT								1
-13	C800092-6	• HANGER ASSY-CYLINDER SUPPORT 76.6 CU FT								1
		ATTACHING PARTS								
-14	MS35207-264	• SCREW								AR
	MS21044N3	• NUT								AR
		ATTACHING PARTS								1
-15	0800089-1	• LUG-HANGER SUPPORT LH AFT								1
	0800089-2	• LUG-HANGER SUPPORT RH AFT								1
-16	0800089-5	• HANGER-LH FWD 48.3 CU FT CYLINDER								1
	0800089-6	• HANGER-RH FWD 48.3 CU FT CYLINDER								1
-17	0800092-1	• HANGER-LH FWD 76.6 CU FT CYLINDER								1
	0800092-2	• HANGER-RH FWD 76.6 CU FT CYLINDER								1
-18	0800092-2	• HANGER-LH CTR 76.6 CU FT CYLINDER								1
	0800092-3	• HANGER-RH CTR 76.6 CU FT CYLINDER								1
-19	C800090-8	• CLAMP ASSY AFT 48.3 CU FT CYLINDER								1
	0800093-8	• CLAMP ASSY AFT 48.3 CU FT CYLINDER								1
-20	0800090-9	• CLAMP ASSY FWD 48.3 CU FT CYLINDER								1
	0800093-9	• CLAMP ASSY FWD 76.6 CU FT CYLINDER								1
		ATTACHING PARTS								1
	MS35207-264	• SCREW								2
	MS21044N3	• NUT								2
		ATTACHING PARTS								1
-21	0800045-34	• LINE ASSY-CAPILLARY CYLINDER TO GAGE								1
	C166011-0109	• LINE ASSY-CAPILLARY CYLINDER TO GAGE								1
-22	MS35489-25	• GRGMMET								1
	C800045-11	• NIPPLE								2
	0800045-11	• NIPPLE								1
-23	C166013-0101	• VALVE-CHECK								1
	SEE FIG 85	• GAGE-OXYGEN PRESSURE								REF
-24	SEE FIG 85	• CONTROL-OXYGEN								1
-25	C800045-35	• LINE ASSY-OXYGEN FILLER FSO CM2972-3								1
	CM2972-3	• LINE ASSY-OXYGEN FILLER								1
		ATTACHING PARTS								2
	MS21919DG4	• CLAMP								2
	S102128-8	• SCREW								2
	NAS446-4-3	• NUT								2
-26	C166008-0101	• VALVE-OXYGEN FILLER								1
		ATTACHING PARTS								3
-27	MS35206-245	• SCREW								3
	MS21044N08	• NUT								3
-28	CM2969-1	• VALVE OXYGEN FILLER FSO CM3509-1								1
		ATTACHING PARTS								SPS
-29	6E00D070	• NUT								1
-30	CM3509-1	• VALVE-OXYGEN FILLER								1
-30A	SEE FIG 1	• PLACARD-OXYGEN FILLER MAINTENANCE								1
-31	0800091-1	• BRACKET-FILLER VALVE SUPPORT								1
	C800179-1	• BRACKET-FILLER VALVE SUPPORT FSO 0800179-2								1
	0800179-2	• BRACKET-FILLER VALVE SUPPORT								1
-32	AN816-5D	• NIPPLE								1
-33	0826018-203	• LINE ASSY								1
	MS35489-105	• GRGMMET-BULKHEAD								1
-34	AN815-5D	• UNICN-LINE								1
-35	C800106-310	• LINE ASSY								1
		ATTACHING PARTS								1
	MS21919DG6	• CLAMP								1
	MS24693S30	• SCREW								1
-35A	C800400-188	• LINE ASSY								1
		CONTINUED								V

Section II
Group Assembly Parts List

FIGURE AND INDEX NO.	PART NUMBER	DESCRIPTION	UNITS PER ASSY							USABLE ON CODE	
			1	2	3	4	5	6	7		
173 -36 -37	AN815-5D	UNION								1	
	0800106-308	LINE ASSY								1	N
	C800400-185	LINE ASSY								1	V
	MS21919DG5	ATTACHING PARTS								2	
	S1022A6-8	CLAMP								1	
	MS35206-230	SCREW								1	
	NAS395-3-3	SCREW								1	
	MS21044N06	NUT								1	
		NUT								1	

-38 -39	AN815-5D	UNION								1	
	C826018-208	LINE ASSY								1	
-40 -41	0800400-178	LINE ASSY								1	N
	MS35489-39S	GROMMET-BULKHEAD								1	X
	AN824-5D	TEE								1	
	C826018-204	LINE ASSY								1	
-42 -43	C800400-189	LINE ASSY								1	N
	AN816-5D	NIPPLE								1	X
-44 -45	0826018-210	LINE ASSY								1	N
	0800400-190	LINE ASSY								1	X
-46 -47	AN824-5D	TEE								1	N
	C826018-211	LINE ASSY								1	X
-48 -49	0800400-187	LINE ASSY								1	N
	MS20822-5D	ELBOW								1	X
-50 -51	0811143-3	ESCUTCHEON-MIKE								AR	M
	S1102-1	JACK-MIKE								AR	H
-52 -53	C166006-0101	OUTLET-OXYGEN FSO C166006-0104								AR	P
	C166006-0104	OUTLET-OXYGEN								AR	S
-54 -55	C166006-0201	OUTLET-OXYGEN								AR	R
	C166006-0202	OUTLET-OXYGEN								AR	Y
-56 -57	0800045-41	LINE-OXYGEN OUTLET INTER.CONNECT								1	
	MS35489-39S	GROMMET								1	
-58 -59	AN932D2	PLUG-OXYGEN OUTLET								1	
	0826018-212	LINE ASSY								1	N
-60 -61	0800400-180	LINE ASSY								1	V
	AN827-5D	CROSS FIVE & SIX PASSENGER								1	
-62 -63	AN824-5D	TEE FOUR & FIVE PASSENGER								1	
	C826018-241	LINE ASSY-LH								1	N
-64 -65	0800400-179	LINE ASSY-LH								1	V
	0826018-242	LINE ASSY-RH								1	N
-66 -67	0800400-176	LINE ASSY-RH								1	V
	0826018-243	LINE ASSY								1	V
-68 -69	0800400-177	LINE ASSY								1	V
	MS35489-39S	GROMMET-BULKHEAD								1	V
-70 -71	AN824-5D	TEE SIX PASSENGER								1	
	AN821-5D	ELBOW FIVE PASSENGER								1	
-72 -73	0826018-243	LINE ASSY-AFT LH								1	N
	0800400-175	LINE ASSY-AFT LH								1	V
-74 -75	0826018-244	LINE ASSY-AFT RH								1	N
	C800400-174	LINE ASSY-AFT RH								1	V
-76 -77	AN816-5D	NIPPLE								1	V
	C166005-0303	MASK & LINE ASSY-PILOT & CO-PILOT FSO C166005-0801								2	N
-78 -79	C166005-0506	LINE & FITTING ASSY								1	N
	C166009-0603	MASK ASSY								1	N
-80 -81	C166005-0801	MASK & LINE ASSY-PILOT & CO-PILOT								1	N
	C166005-0706	LINE & FITTING ASSY								1	N
-82 -83	C166009-0801	MASK ASSY								1	N
	C166005-0802	MASK & LINE ASSY-PILOT & CO-PILOT								1	S
-84 -85	C166005-0603	LINE & FITTING ASSY								1	S
	C166009-0801	MASK ASSY								1	S
-86 -87	C166015-0201	MASK & LINE ASSY-PILOT & CO-PILOT								1	S
	C166015-0301	LINE & FITTING ASSY								1	S
-88 -89	C166009-0801	MASK ASSY								1	S
	C166005-0202	MASK & LINE ASSY-PASSENGER								1	R
-90 -91	C166005-0505	LINE & FITTING ASSY								AR	N
	C166005-020E	MASK ASSY								AR	N
-92 -93	C166005-0605	MASK & LINE ASSY-PASSENGER								AR	N
	C166005-0606	LINE & FITTING ASSY								AR	N
-94 -95	C166009-0701	MASK ASSY								AR	N
	C166015-0101	MASK & LINE ASSY-PASSENGER								AR	N
-96 -97	C166015-0301	LINE & FITTING ASSY								AR	N
	C166009-0701	MASK ASSY								AR	N
-98 -99	SEE FIG 1	PLACARD-OXYGEN CAUTION								REF	L
	0800400-168	LINE ASSY-OXYGEN OVERBOARD DISCHARGE								1	L
-100 -101	MS21919WDG4	CLAMP								2	L
		ATTACHING PARTS								2	L
-102 -103	MS35206-227	SCREW								2	L
	MS21042L06	NUT								2	L
-104 -105		----									

-106 -107	CM3578-1	INDICATOR-OXYGEN OVERBOARD DISCHARGE								1	L
	SEE FIG 1	PLACARD-OXYGEN HIGH PRESSURE RELIEF								REF	L
-108 -109	0800400-213	LINE ASSY								1	R
	AN816-5D	NIPPLE								1	R
-110 -111	0800400-212	LINE ASSY								1	R
	ZR675	REGULATOR-ALTITUDE COMPENSATOR							ZEP A	1	R
-112 -113		ATTACHING PARTS								1	R
	AN737TM46	CLAMP								1	R

CONTINUED

Section II
Group Assembly Parts List

FIGURE AND INDEX NO.	PART NUMBER	DESCRIPTION	1 2 3 4 5 6 7							UNITS PER ASSY	USABLE ON CODE	
			1	2	3	4	5	6	7			
173 -73	0800400-222	. LINE ASSY	1	W
-74	0800400-221	. LINE ASSY	1	W
-75	AN816-5D	. NIPPLE	1	W
-76	0800400-220	. LINE ASSY	1	W
-77	0800400-219	. LINE ASSY	1	W
-78	AN824-5D	. TEE	1	W
-79	0800400-223	. LINE ASSY	1	W
-80	0800400-224	. LINE ASSY	1	W
-81	MS20823-5D	. ELBDW	1	W
		A---310P0001 THRU 310Q0042										
		B---310Q0043 E ON										
		C---310P0001 THRU 310Q0016										
		D---310Q0017 E ON										
		E---310P0001 THRU 310P0152										
		F---310P0153 THRU 310P0217										
		G---310P0218 TO 310Q0001										
		H---310P0001 THRU 310P0037										
		J---310P0038 E ON										
		K---310Q0043 THRU 310Q0213										
		L---310Q0214 E ON										
		M---310P0001 THRU 310Q0200										
		N---310P0001 THRU 310Q0400										
		P---310P0038 THRU 310Q0400										
		Q---310P0001 THRU 310Q0600										
		R---310Q0601 E ON										
		S---310Q0401 THRU 310Q0600										
		T---310Q0001 E ON										
		U---310P0153 E ON										
		V---310Q0401 E ON										
		W---310Q0901 E ON										
		X---310Q0401 THRU 310Q0900										
		Y---310P0001 THRU 310Q0900										