

Section II
Group Assembly Parts List

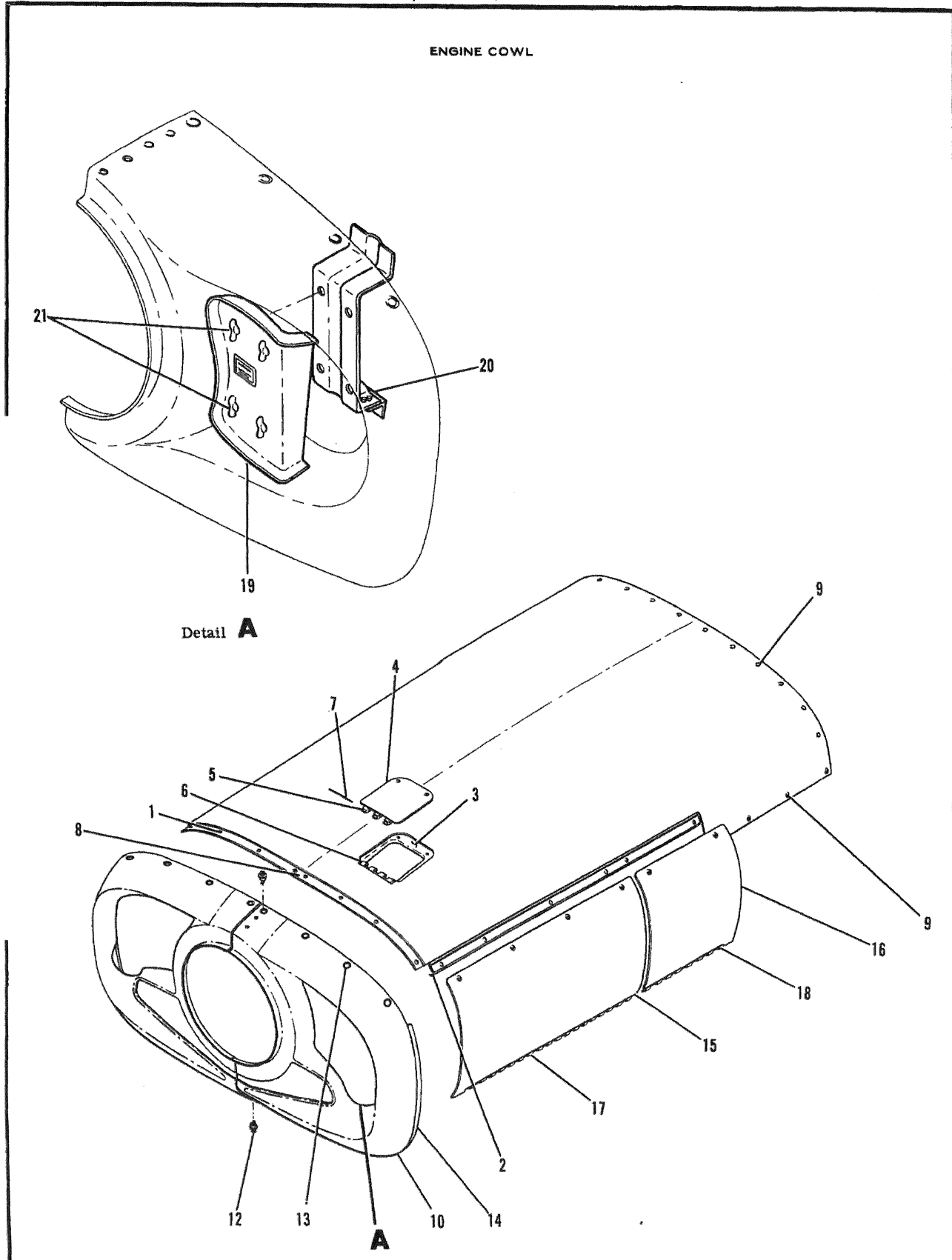


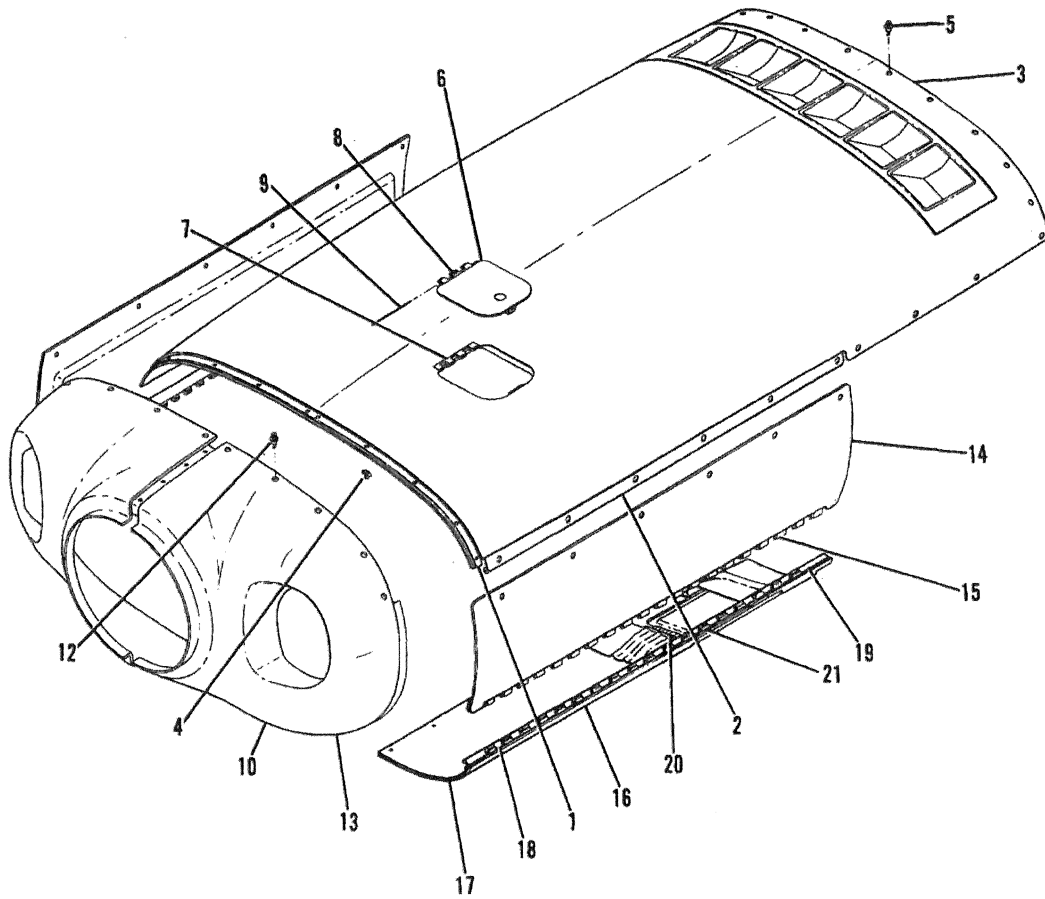
Figure 123. Engine Cowl Installation

Section II
Group Assembly Parts List

FIGURE AND INDEX NO.	PART NUMBER	DESCRIPTION	UNITS PER ASSY	USABLE ON CODE
123 -		ENGINE COWL INSTALLATION		
-1	Q851180-200	COWL ASSY-UPR	NP	
-2	CE51004-11	STIFFENER-COWL FWD	1	
-2	Q851004-9	STIFFENER-LH CCWL SIDE	1	
-2	Q851004-10	STIFFENER-RH CCWL SIDE	1	
-3	C851736-1	DOUBLER ASSY-OIL FILLER DOOR	1	
-4	S4-225	SPRING	DZ	
-4	C851735-200	DOOR ASSY-OIL FILLER	2	
-4	A4-30	FASTENER	DZ	
-5	Q851735-201	HINGE ASSY-OIL FILLER DCOR	2	
-5	Q851735-3	HINGE HALF	1	
-6	Q851160-42	HINGE HALF	1	
-7	MS20253P2-400	PIN-HINGE	1	
-8	244-160	RECEPTACLE	CLC	
-8	4055-4	STUD ASSY	CLC	
-8	4002G	GROMMET	CLC	
-8	R4T	SNAP RING	CLC	
-10	Q851119-1	NOSE CAP ASSY-LH FSO 0851119-15	1	A
-10	Q851119-15	NOSE CAP ASSY-LH	1	B
-10	Q851119-2	NOSE CAP ASSY-LH FSO 0851119-14	1	B
-10	Q851119-14	NOSE CAP ASSY-LH	1	B
	MS24694S4	ATTACHING PARTS SCREW	AR	
-11		DELETED NOT USED		
-12	4002-5	STUD-LWR	CLC	
-13	4055-5	STUD-UPR	CLC	
-13	R4G	SNAP RING	CLC	
-13	4002H	GROMMET	CLC	
-14	C851119-13	RLB STRIP	1	
-15	Q851181-200	PANEL ASSY-SIDE FWD LH OUTBD RH INBD	1	
-15	Q851181-201	PANEL ASSY-SIDE FWD LH INBD RH OUTBD FSO 0851181-204	1	C
-15	Q851181-204	PANEL ASSY-SIDE FWD LH INBD RH OUTBD	1	
-16	Q851181-202	PANEL ASSY-SIDE AFT LH OUTBD RH INBD	1	
-16	Q851181-203	PANEL ASSY-SIDE AFT LH INBD RH OUTBD	1	
-17	Q851525-2	HINGE HALF-FWD LF PANEL	1	
-17	Q851525-18	HINGE HALF-FWD RH PANEL	1	
-18	Q851525-13	HINGE HALF-AFT LF PANEL	1	
-18	Q851525-14	HINGE HALF-AFT RH PANEL	1	
-19	Q851166-3	BAFFLE-WINTERIZATION LH OUTBD RH INBD	2	
-20	Q851166-4	BAFFLE-WINTERIZATION LH INBD RH OUTBD	2	
-21	294671L	NUT-CLIP ON	MKL	
	NAS602-9	ATTACHING PARTS SCREW	6	
		A---310P0001 TFRU 310P0094 B---310P0095 & ON C---310P0001 TFRU 310Q0112 C---310Q0113 & GN		

Section II
Group Assembly Parts List

ENGINE COWL



21 COWL FLAPS DOOR ASSEMBLY

Figure 124. Engine Cowl Installation - Turbocharged Engine

Section II
Group Assembly Parts List

FIGURE AND INDEX NO.	PART NUMBER	DESCRIPTION	1 2 3 4 5 6 7							UNITS PER ASSY	USABLE ON CODE
124 -		ENGINE COWL INSTALLATION USED WITH TURBOCHARGED ENGINE								NP	
	0851163-200	COWL ASSY-UPR LH								1	
	0851163-201	COWL ASSY-UPR RH								1	
-1	0851163-17	RUB STRIP-FWD								1	
-2	0851163-19	RUB STRIP-SIDE								2	
-3	0851163-15	RLB STRIP-AFT								1	
	0851180-7	RUB STRIP-AFT SIDE								2	
-4	244-16	RECEPTACLE								CLC	
-5	455-4	STUD								CLC	
	4002H	GRCMMET								CLC	
	R4T	SNAP RING								CLC	
-6	0851160-200	DOOR ASSY-OIL FILLER								2	
	0851160-201	HINGE ASSY-OIL FILLER DOOR								2	
-7	0851160-42	HINGE HALF								1	
-8	0851160-43	HINGE HALF								1	
-9	MS20253P2-400	PIN-HINGE								1	
	152010-1	SPRING								1	
	MS24665-22	PIN-COTTER								2	
-10	0851149-13	NOSE CAP ASSY-LH								1	
	0851202-1	NOSE CAP ASSY-LH								100 AMP ALT	
	0851149-212	NOSE CAP ASSY-LH								FSD 0851149-212	
	0851149-16	NOSE CAP ASSY-RH								100 AMP ALT	
	0851149-32	NOSE CAP ASSY-RH								FSD 0851149-211	
	0851202-6	NOSE CAP ASSY-RH								100 AMP ALT	
	0851149-211	NOSE CAP ASSY-RH								FSD 0851149-211	
	0851149-1	NOSE CAP ASSY-LH								100 AMP ALT	
	0851149-13	NOSE CAP ASSY-LH								50 AMP ALT	
	0851202-1	NOSE CAP ASSY-LH								FSD 0851149-212	
	0851149-212	NOSE CAP ASSY-LH								50 AMP ALT	
	0851149-24	NOSE CAP ASSY-RH								FSD 0851149-210	
	0851149-28	NOSE CAP ASSY-RH								50 AMP ALT	
	0851149-36	NOSE CAP ASSY-RH								FSD 0851149-210	
	0851202-2	NOSE CAP ASSY-RH								50 AMP ALT	
	0851149-210	NOSE CAP ASSY-RH								FSD 0851149-210	
	MS24649-4	ATTACHING PARTS SCREW								8	
-11		DELETED NOT USED									
-12	4055-5	STUD								CLC	
	4002H	GRCMMET								CLC	
	R46	SNAP RING								CLC	
-13	0851149-9	RLB STRIP								5	
-14	0851164-200	DOOR ASSY-SIDE LH OUTBD RH INBD								1	
	0851164-201	DOOR ASSY-SIDE LH INBD RH OUTBD								2	
-15	0851164-9	HINGE ASSY-DOOR LH								2	
	0851164-10	HINGE ASSY-DOOR RH								2	
-16	0851170-201	PANEL ASSY-OUTBD LH								1	
	0851170-200	PANEL ASSY-INBD LH								1	
	0851170-207	PANEL ASSY-INBD LH								1	
	0851170-203	PANEL ASSY-INBD RH								1	
	0851170-208	PANEL ASSY-INBD RH								1	
	0851170-202	PANEL ASSY-OUTBD RH								1	
	MS27039-0806	ATTACHING PARTS SCREW								AR	
	MS27039-0807	SCREW								AR	
	MS27039-0808	SCREW								AR	
-17	0851170-13	ANGLE-LH								1	
	0851170-14	ANGLE-RH								1	
-18	0851170-16	HINGE HALF-LH								1	
-19	0851170-18	HINGE HALF-RH								1	
	MS20253-3-2950	PIN-HINGE								1	
-20	0851170-206	HINGE ASSY-COWL LH & RH								1	
-21	SEE FIG 125	DOOR ASSY-COWL FLAPS								REF	
		A---310P0001 TFRU 310C0065									
		B---310Q0066 TFRU 310Q0408									
		C---310P0001 TFRU 310C0205									
		D---310Q0206 & ON									
		E---310P0001 TFRU 310P0096									
		F---310P0097 TFRU 310C0065									
		G---310Q0409 & ON									
		H---310P0001 TFRU 310P0004									
		J---310P0005 TFRU 310Q0065									
		K---310P0005 TFRU 310P0096									

A
B
G
F
B
G
H
J
B
G
H
K
F
B
G

C
D
C
D

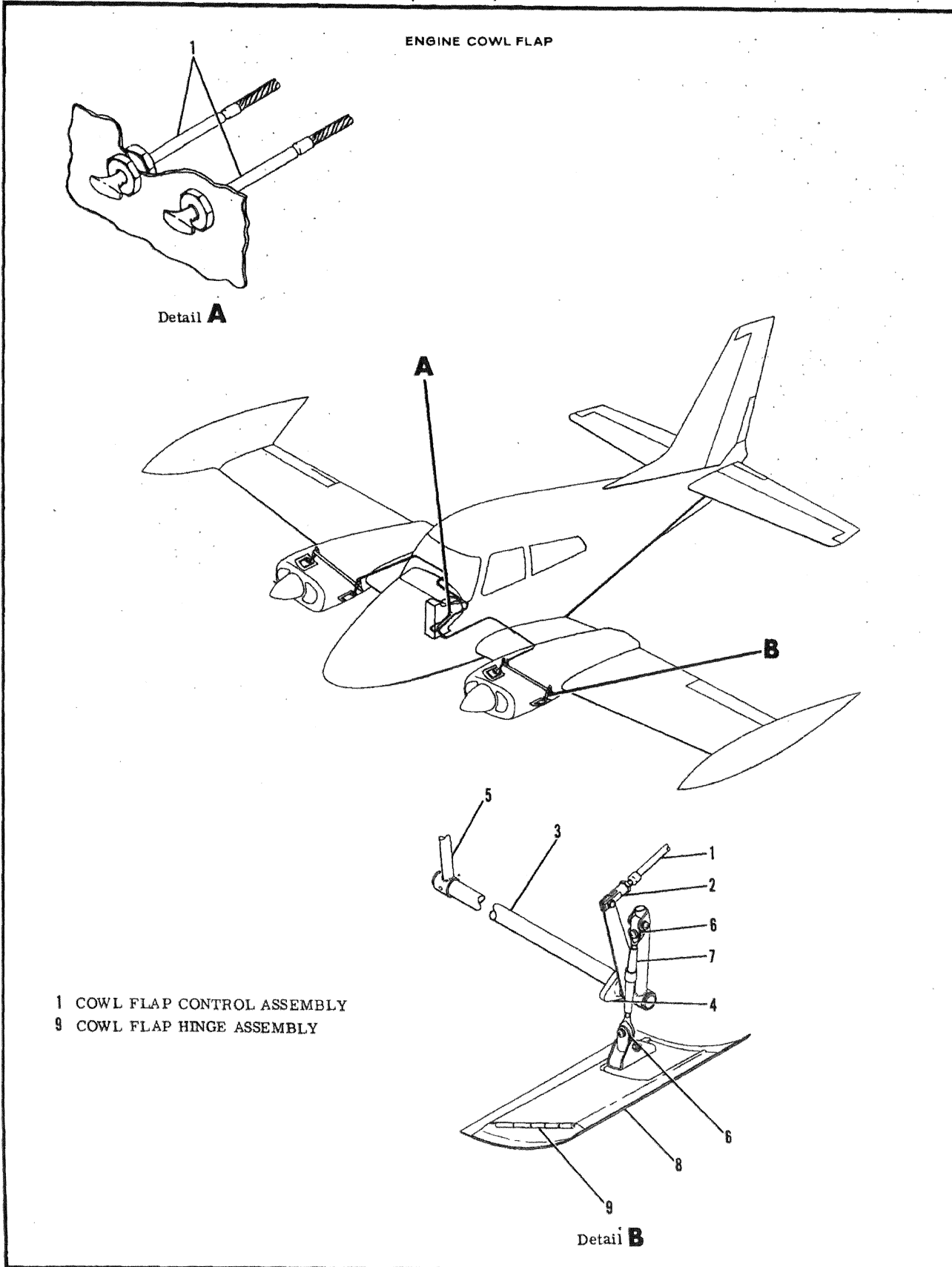


Figure 125. Engine Cowl Flaps and Controls System

Section II
Group Assembly Parts List

FIGURE AND INDEX NO.	PART NUMBER	DESCRIPTION	UNITS PER ASSY	USABLE ON CODE		
					1	2
125 -		ENGINE COWL FLAPS AND CONTROL SYSTEM	NP			
-1	SEE FIG 85	. CONTROL ASSY-COWL FLAPS	REF			
-2	0850509-1	. CLEVIS-CONTROL	2			
		ATTACHING PARTS				
	AN3-7A	. BOLT	1			
	0850507-3	. BUSHING	2			
	AN960-10L	. WASHER	2			
	MS21042L3	. NUT	1			
	AN315-3R	. NUT	1			
-3	0851177-1	. TORQUE TUBE ASSY-CONTROL LH	1			
	0851177-2	. TORQUE TUBE ASSY-CONTROL RH	1			
-4	0851171-1	. BLOCK-BEARING	4			
	SA750T17	. BEARING	4	SUNA		
	0851171-2	. RETAINER	4			
		ATTACHING PARTS				
	MS27039-1-15	. SCREW	2			
-5	0851177-4	. BELLCRANK-CONTROL LH	1			
	0851177-3	. BELLCRANK-CONTROL RH	1			
		ATTACHING PARTS				
	NAS561PF6-16	. PIN	1			
-6	0851173-1	. LINK-CONTROL	4			
		ATTACHING PARTS				
	MS27039-1-16	. SCREW-UPPER	1			
	MS27039-1-18	. SCREW-LOWER	1			
	0851174-2	. BUSHING	1			
	AN960-10L	. WASHER-LOWER	2			
	AN960-416L	. WASHER	2			
-7	0851170-27	. EYE-CONTROL TURNBUCKLE	4			
	MS21251-5S	. BARREL-CONTROL TURNBUCKLE	4			
	0851170-28	. EYE-CONTROL TURNBUCKLE	4			
	NAS651-16S	. CLIP-TURNBUCKLE	4			
		ATTACHING PARTS				
	MS27039-1-04	. SCREW	2			
	0851174-1	. BUSHING	2			
	AN960-10L	. WASHER	4			
	MS21042L3	. NUT	2			
-8	0851172-201	. DOOR ASSY-COWL FLAP OUTBD LH INBD RH	2			
	0851172-200	. DOOR ASSY-COWL FLAP INBD LH OUTBD RH	2			
-9	SEE FIG 124	. HINGE ASSY-COWL FLAP	REF			