

Section II  
Group Assembly Parts List

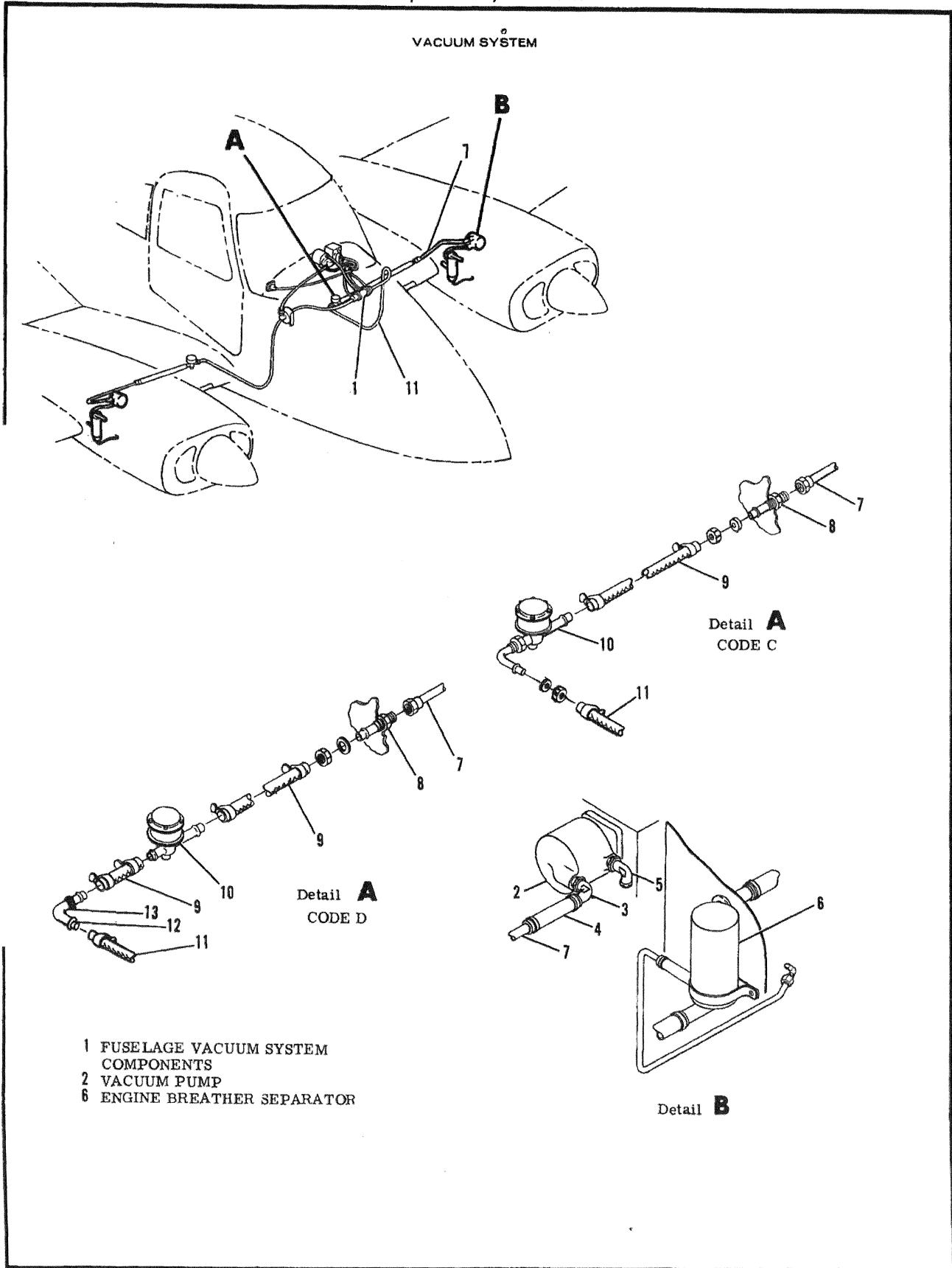


Figure 174. Vacuum System

Section II  
Group Assembly Parts List

FIGURE AND INDEX NO.	PART NUMBER	DESCRIPTION							UNITS PER ASSY	USABLE ON CODE	
		1	2	3	4	5	6	7			
174 -		VACUUM SYSTEM									
-1	SEE FIG 175	INSTRUMENT PANEL VACUUM SYSTEM COMPONENTS							NP		
-2	SEE FIG 126	VACUUM PUMP							REF		
-3	IK1-6-10	ELBOW							2		
-4	S51-10	HOSE BK1							AR		
	NAS397-16	ATTACHING PARTS									
		CLAMP							2		
-5	IK1-6-10	ELBOW									
-6	SEE FIG 128	SEPARATOR-ENGINE BREATHER							ABNE		
-7	0826018-123	LINE ASSY-LH							REF		
	0826018-173	LINE ASSY-LH USED WITH TURBO-CHARGED ENGINE							1	A	
	0800400-159	LINE ASSY-LH USED WITH TURBO-CHARGED ENGINE							1	B	
	0826018-98	LINE ASSY-RH							1		
	0826018-172	LINE ASSY-RH USED WITH TURBO-CHARGED ENGINE							1		
-8	IK12-10-10	FITTING ASSY-BULKHEAD							ABNE		
	AN960-1416L	WASHER							2		
-9	S51-10	HOSE BK1							AR		
	AN737RM34	ATTACHING PARTS									
		CLAMP							AR		
-10	13385-2	VALVE ASSY-REGULATOR LH FSO 2H3-5							ABNE	1	C
	13385-1	VALVE ASSY-REGULATOR RH FSO 2H3-5							ABNE	1	C
	133C1	VALVE ASSY-REGULATOR LH & RH FSO 2H3-5							ABNE	2	E
	2H3-5	VALVE ASSY-REGULATOR LH & RH							ABNE	2	F
	B3-5-1	FILTER							ABNE	1	
	AN960D1219L	WASHER							2		
-11	S51-8	HOSE BK1 VALVE TO MANIFOLD							AR		
	S51-10	HOSE BK1 VALVE TO MANIFOLD							AR		
	AN737RM30	ATTACHING PARTS									
	AN737RM34	CLAMP							AR	C	
		CLAMP							AR	D	
-12	0800400-192	LINE-LH & RH							2		
-13	S1050-1	GROMMET-LH & RH BK1							AR		
		A---310P0001 THRU 310P0072									
		B---310P0073 & ON									
		C---310P0001 THRU 310Q0459									
		D---310Q0460 & ON									
		E---310P0001 THRU 310Q1061									
		F---310Q1062 & ON									

Section II  
Group Assembly Parts List

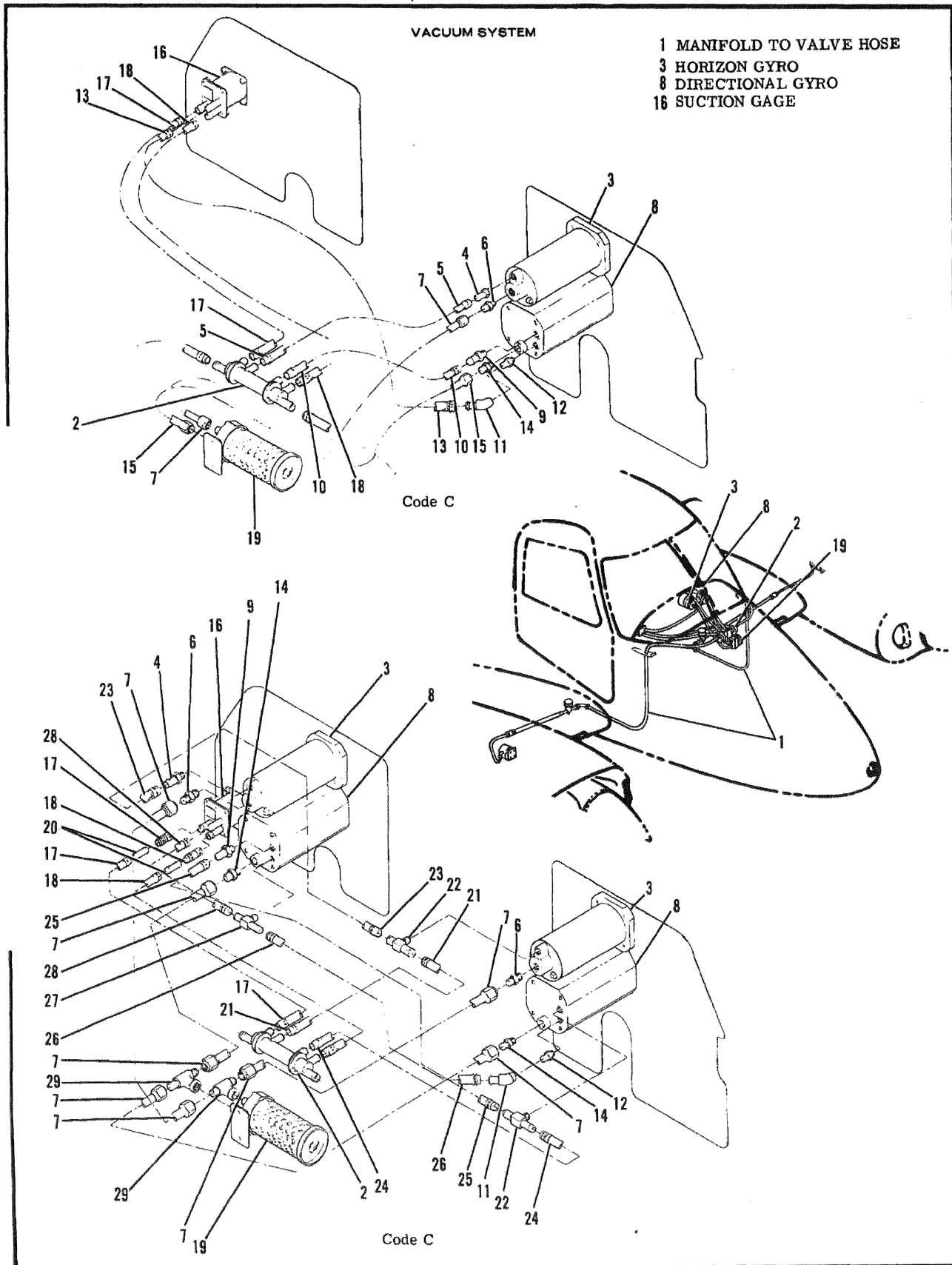


Figure 175. Instrument Panel Vacuum System Components (Sheet 1 of 2)

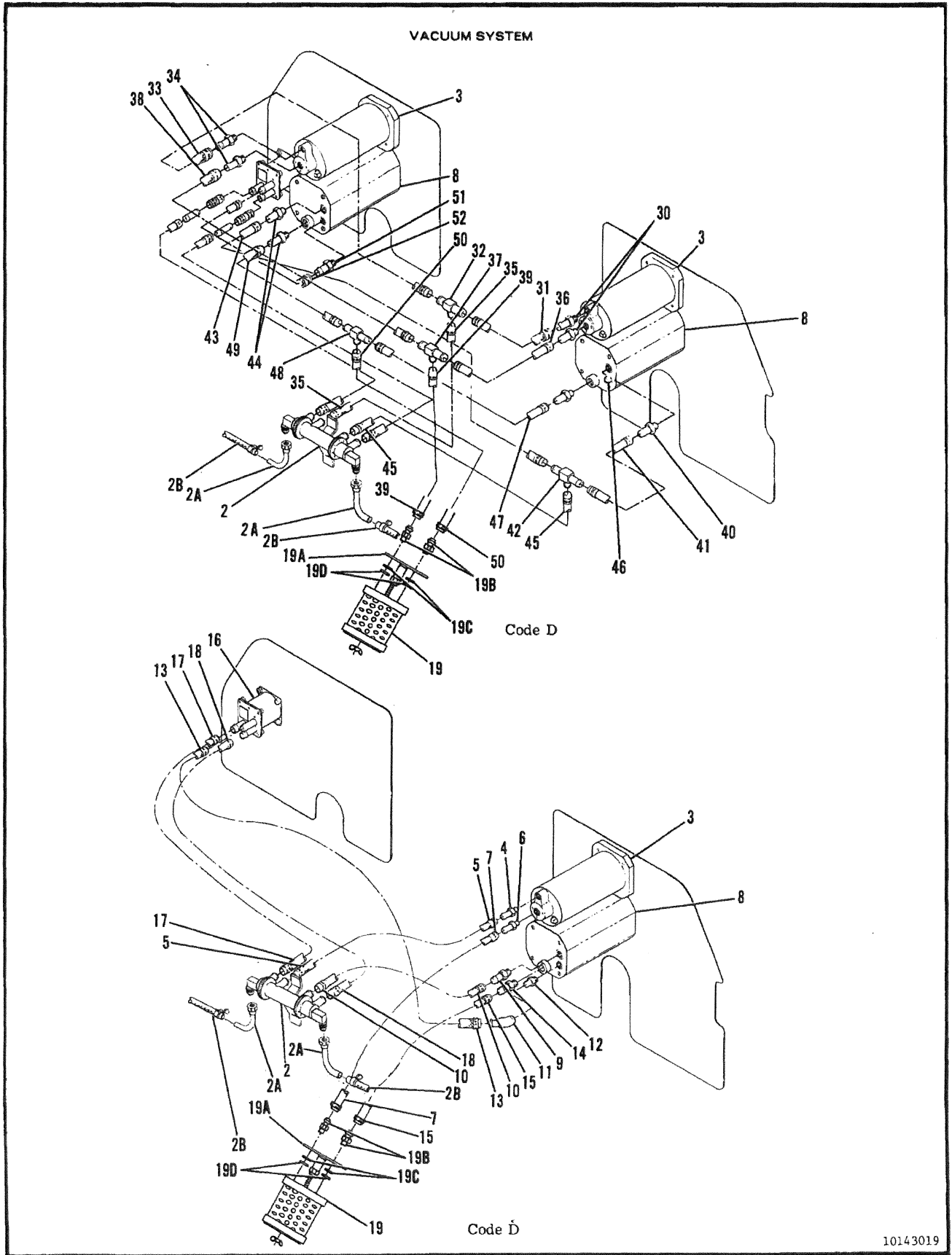


Figure 175. Instrument Panel Vacuum System Components (Sheet 2)

Section II  
Group Assembly Parts List

FIGURE AND INDEX NO.	PART NUMBER	DESCRIPTION							UNITS PER ASSY	USABLE ON CODE
		1	2	3	4	5	6	7		
175 -		INSTRUMENT PANEL VACUUM SYSTEM COMPONENTS								
-1	SEE FIG 174	HOSE VALVE TO MANIFOLD							NP	
-2	IH5-1	MANIFOLD-VACUUM							REF	
	IH5-10	MANIFOLD-VACUUM							1	C
	MS27039-0806	ATTACHING PARTS							1	D
		SCREW							2	
-2A	0800400-191	LINE ASSY-MANIFOLD TO HOSE							2	D
-2B	S51-10	HOSE BK1 LINE TO REGULATOR							AR	D
	AN737RM34	ATTACHING PARTS							2	D
		CLAMP							2	
-3	SEE FIG 88	HORIZON GYRO							REF	
-4	1K10-4-6	ADAPTER							1	C
	1K10-4-8	ADAPTER							1	C
-5	0812109-14	HOSE HORIZON GYRO TO MANIFOLD							1	C
	2256-8	HOSE BK1 HORIZON GYRO TO MANIFOLD							1	C
	AN737RM22	ATTACHING PARTS							AR	
	AN737RM30	CLAMP							1	C
		CLAMP							1	C
-6	AN816-6D	NIPPLE							1	C
	1K10-4-8	ADAPTER							1	D
-7	CM2944-6-18	HOSE ASSY HORIZON GYRO TO AIR CLEANER							1	A
		FSD CM2944-6-30							1	A
	CM2944-6-30	HOSE ASSY HORIZON GYRO TO AIR CLEANER							1	E
	CM2944-6-37	HOSE ASSY HORIZON GYRO TO AIR CLEANER							1	F
	2556-8	HOSE BK1 HORIZON GYRO TO FILTER							AR	D
-8	SEE FIG 88	DIRECTIONAL GYRO							REF	
-9	1K10-4-6	ADAPTER							1	C
	1K10-4-8	ADAPTER							1	C
-10	0812109-14	HOSE DIRECTIONAL GYRO TO MANIFOLD							1	C
	2556-8	HOSE BK1 DIRECTIONAL GYRO TO MANIFOLD							1	C
	AN737RM22	ATTACHING PARTS							AR	
	AN737RM30	CLAMP							1	C
		CLAMP							1	D
-11	AN844-4D	ELBOW							1	
-12	AN812-1D	REDUCER							1	
-13	SI1495-4	HOSE BK1 DIRECTIONAL GYRO TO SUCTION GAGE							AR	
	BTC1-2	ATTACHING PARTS							1	
		CLAMP							AR	
-14	AN816-6D	NIPPLE							1	C
	1K10-4-8	ADAPTER							1	D
-15	CM2944-6-18	HOSE ASSY-DIRECTIONAL GYRO TO AIR CLEANER							1	A
		FSD CM2944-6-30							1	A
	CM2944-6-30	HOSE ASSY-DIRECTIONAL GYRO TO AIR CLEANER							1	E
	CM2944-6-37	HOSE ASSY-DIRECTIONAL GYRO TO AIR CLEANER							1	F
	2556-8	HOSE BK1 DIRECTIONAL GYRO TO FILTER							AR	D
-16	SEE FIG 88	SUCTION GAGE							REF	
-17	0812103-15	HOSE SUCTION GAGE TO MANIFOLD LH							1	
	BTC1-2	ATTACHING PARTS							1	
		CLAMP							2	
-18	0812103-16	HOSE SUCTION GAGE TO MANIFOLD RH							1	A
	0812103-20	HOSE SUCTION GAGE TO MANIFOLD RH							1	B
	BTC1-2	ATTACHING PARTS							1	
		CLAMP							2	
-19	C294501-0101	FILTER ASSY							1	C
	C294501-0301	FILTER ASSY							1	C
	C294501-0103	ELEMENT-FILTER							1	C
	C294501-0201	FILTER ASSY USED WHEN RH GYRO IS INSTALLED							1	C
	C294501-0302	FILTER ASSY USED WHEN RH GYRO IS INSTALLED							1	C
	C294501-0205	ELEMENT-FILTER							1	C
-19A	5614211-7	LOCATOR ASSY-FILTER USE WITH LH INSTRUMENTS							1	C
	5614211-8	LOCATOR ASSY-FILTER USE WITH LH & RH INSTRUMENTS							1	C
-19B	1K56-8-8	ADAPTER-FILTER							1	D
-19C	250-215-10A	LOCK-O-SEAL							2	D
-19D	AN960-1216	WASHER							2	D
-20	0870169-2	ORIFICE USED WITH DEVICE							2	D
-21	0812109-14	RH FLIGHT INSTRUMENT INSTL							NP	
	NAS397-10	HOSE MANIFOLD TO TEE							1	C
		ATTACHING PARTS							2	
		CLAMP							2	C
-22	1K41-1	TEE							1	C
-23	0812109-9	HOSE LH GYRO TO RH GYRO							1	C
	NAS397-10	ATTACHING PARTS							1	C
		CLAMP							2	C
-24	0812109-14	HOSE LH GYRO TO MANIFOLD							1	C
	NAS397-10	ATTACHING PARTS							AR	C
		CLAMP								

CONTINUED

Section II  
Group Assembly Parts List

FIGURE AND INDEX NO.	PART NUMBER	DESCRIPTION	UNITS PER ASSY	USABLE ON CODE		
					1	2
175 -25	0812109-10	HOSE RH GYRO TO LH GYRO . . . . .	1	C		
	NAS397-10	ATTACHING PARTS . . . . .	1	C		
		CLAMP . . . . .	1	C		
-26	0812109-9	HOSE LH GYRO TO RH GYRO . . . . .	1	C		
	NAS397-10	ATTACHING PARTS . . . . .	2	C		
		CLAMP . . . . .	2	C		
-27	1K41-2	TEE RH GYRO TO SUCTION GAGE . . . . .	1	ABNE		
-28	0812103-20	HOSE RH GYRO TO SUCTION GAGE . . . . .	1	C		
	BTC1-2	ATTACHING PARTS . . . . .	2	WIT		
		CLAMP . . . . .	2	C		
-29	AN786D3	TEE-AIR CLEANER . . . . .	2	C		
-30	1K10-4-8	ADAPTER LH HORIZON GYRO . . . . .	2	D		
-31	2556-8	HOSE BKI LH HORIZON GYRO TO TEE . . . . .	AR	ABNE ARQP		
	AN737RM30	ATTACHING PARTS . . . . .	2	D		
		CLAMP . . . . .	2	D		
-32	1K14-8-8-8	TEE BKI TEE TO RH HORIZON GYRO . . . . .	1	ABNE		
-33	2556-8	HOSE BKI TEE TO RH HORIZON GYRO . . . . .	AR	ARQP		
	AN737RM30	ATTACHING PARTS . . . . .	2	D		
		CLAMP . . . . .	2	D		
-34	1K10-4-8	ADAPTER RH HORIZON GYRO . . . . .	2	ABNE		
-35	2556-8	HOSE BKI TEE TO MANIFOLD . . . . .	AR	ARQP		
	AN737RM30	ATTACHING PARTS . . . . .	2	D		
		CLAMP . . . . .	2	D		
-36	2556-8	HOSE BKI LH HORIZON GYRO TO TEE . . . . .	AR	ARQP		
	AN737RM30	ATTACHING PARTS . . . . .	2	D		
		CLAMP . . . . .	2	D		
-37	1K14-8-8-8	TEE BKI RH HORIZON GYRO TO TEE . . . . .	1	ABNE		
-38	2556-8	HOSE BKI RH HORIZON GYRO TO TEE . . . . .	AR	ARQP		
	AN737RM30	ATTACHING PARTS . . . . .	2	D		
		CLAMP . . . . .	2	D		
-39	2556-8	HOSE BKI TEE TO FILTER . . . . .	AR	ARQP		
	AN737RM30	ATTACHING PARTS . . . . .	2	D		
		CLAMP . . . . .	2	D		
-40	1K10-4-8	ADAPTER LH DIRECTIONAL GYRO . . . . .	2	ABNE		
-41	2556-8	HOSE BKI LH DIRECTIONAL GYRO TO TEE . . . . .	AR	ARQP		
	AN737RM30	ATTACHING PARTS . . . . .	2	D		
		CLAMP . . . . .	2	D		
-42	1K14-8-8-8	TEE BKI TEE TO RH DIRECTIONAL GYRO . . . . .	1	ABNE		
-43	2556-8	HOSE BKI TEE TO RH DIRECTIONAL GYRO . . . . .	AR	ARQP		
	AN737RM30	ATTACHING PARTS . . . . .	2	D		
		CLAMP . . . . .	2	D		
-44	1K10-4-8	ADAPTER RH DIRECTIONAL GYRO . . . . .	2	ABNE		
-45	2556-8	HOSE BKI TEE TO MANIFOLD . . . . .	AR	ARQP		
	AN737RM30	ATTACHING PARTS . . . . .	2	D		
		CLAMP . . . . .	2	D		
-46	MS20913-10	PLUG LH DIRECTIONAL GYRO . . . . .	1	D		
-47	2556-8	HOSE BKI LH DIRECTIONAL GYRO TO TEE . . . . .	AR	ARQP		
	AN737RM30	ATTACHING PARTS . . . . .	2	D		
		CLAMP . . . . .	2	D		
-48	1K14-8-8-8	TEE BKI RH DIRECTIONAL GYRO TO TEE . . . . .	1	ABNE		
-49	2556-8	HOSE BKI RH DIRECTIONAL GYRO TO TEE . . . . .	AR	ARQP		
	AN737RM30	ATTACHING PARTS . . . . .	2	D		
		CLAMP . . . . .	2	D		
-50	2556-8	HOSE BKI TEE TO FILTER . . . . .	AR	ARQP		
	AN737RM30	ATTACHING PARTS . . . . .	2	D		
		CLAMP . . . . .	2	D		
-51	AN840-40	NIPPLE RH DIRECTIONAL GYRO . . . . .	1	D		
-52	0812109-24	HOSE RH DIRECTIONAL GYRO TO SUCTION GAGE . . . . .	1	D		

A---310P0001 THRU 310P0079  
 B---310P0080 & ON  
 C---310P0001 THRU 310Q0459  
 D---310Q0460 & ON  
 E---310P0080 THRU 310Q0115  
 F---310Q0116 THRU 310Q0459